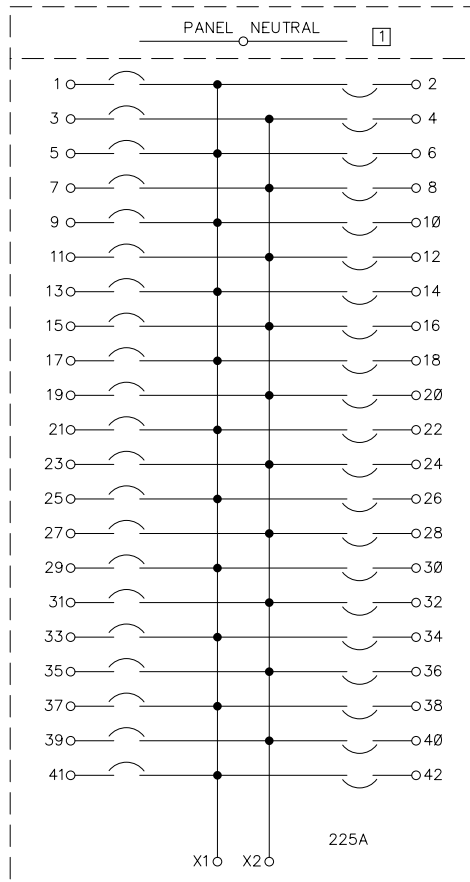
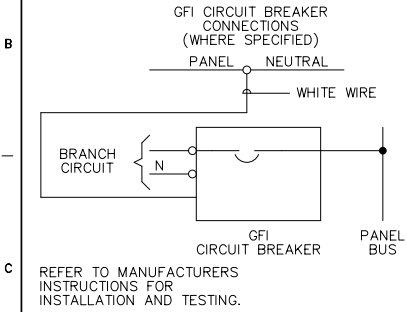


A [1] OTHER SIDE OF EACH CIRCUIT IS ALSO CONNECTED TO PANEL NEUTRAL.

LIGHTING PANEL SUPPLIED WITH:
 20 - 15A. - 1 POLE BREAKER(S)
 8 - 20A. - 2 POLE BREAKER(S)
 2 - 20A. - 3 POLE BREAKER(S)



THIS LAYOUT IS TYPICAL OF A BUL 2193LE SINGLE PHASE, 3 WIRE, LIGHTING PANEL WITH 225A MAIN LUG. ACTUAL LOCATION OF BRANCH BREAKERS IS DETERMINED BY MANUFACTURING.

- IT CONTAINS:
- 20 1-POLE 15A BRANCH BREAKERS
 - 8 2-POLE 20A BRANCH BREAKERS
 - 2 3-POLE 20A BRANCH BREAKERS

References		BUL 2193LE SINGLE PHASE		
Revision		LIGHTING PANEL		
1	08/28/01	Dimensions Apply Before Surface Treatment		Sheet 1 Of 1
		Dimensions in Inches Tolerances Unless Otherwise Specified		Dwg Size C
		2 Place Decimal ±.02	Dr.	Date
		3 Place Decimal ±.005	Chkd.	Date
		Angles ±1	Appd.	Date
Refer. Book				2193LEWB002