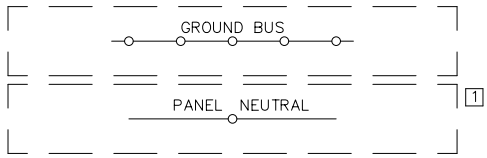
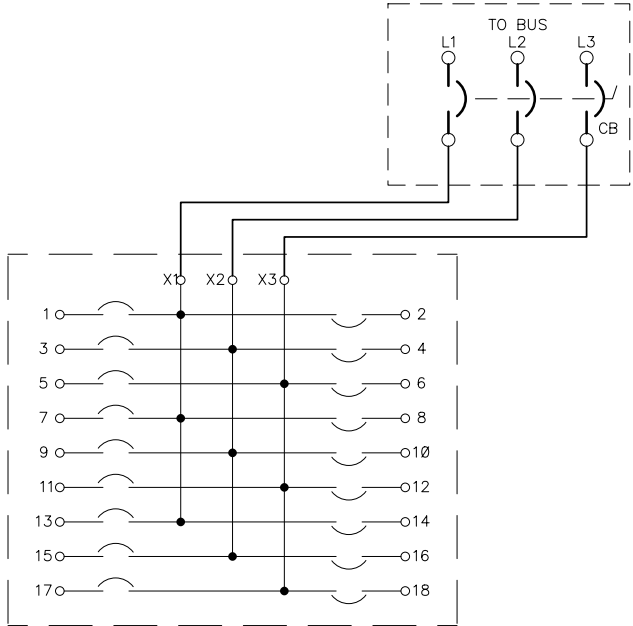


1 OTHER SIDE OF EACH CIRCUIT IS ALSO CONNECTED TO NEUTRAL.

PANELBOARD SUPPLIED WITH:  
 8 - 20A. - 1 POLE BREAKER(S)  
 5 - 15A. - 2 POLE BREAKER(S)



THIS LAYOUT IS TYPICAL OF A BUL 2193PP PLUG-IN PANELBOARD WITH 100A MAIN CIRCUIT BREAKER. ACTUAL LOCATION OF BRANCH BREAKERS IS DETERMINED BY MANUFACTURING.

- IT CONTAINS:
- 8 1-POLE 20A BRANCH BREAKERS
  - 5 2-POLE 15A BRANCH BREAKERS

References		BUL. 2193PP 3-PHASE		
Revision		PLUG-IN PANELBOARD		
1	08/28/01	Dimensions Apply Before Surface Treatment		Dr.
		Dimensions in Inches Tolerances Unless Otherwise Specified		Date
		2 Place Decimal ± .02		Chkd.
		3 Place Decimal ± .005		Date
		Angles ± 1		Appd.
Refer. Book				Date

Sheet 1 Of 1  
 Dwg Size C  
 2193PPWB001

Allen-Bradley Drives