

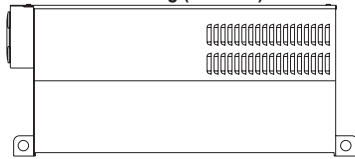


**PowerFlex 400 Frame E-H Lifting Instructions**  
**Hebeanweisungen für Baugröße E-H**  
**Instructions de levage pour les taille E-H**  
**Istruzioni per il sollevamento per i telai E-H**  
**Instrucciones de izado para los bastidores E-H**  
**Hijsinstructies voor frame E-H**  
**Instruções de elevação para os gabinete E-H**

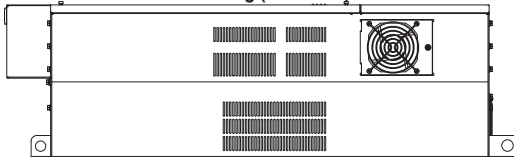
**Installation Instructions**  
**Installationsanleitung**  
**Installation**  
**Installazione**  
**Instalación**  
**Instructies**  
**Instalação**

Frame  
Baugröße  
Taille  
Quaro  
Tamaño  
Frame  
Gabinete

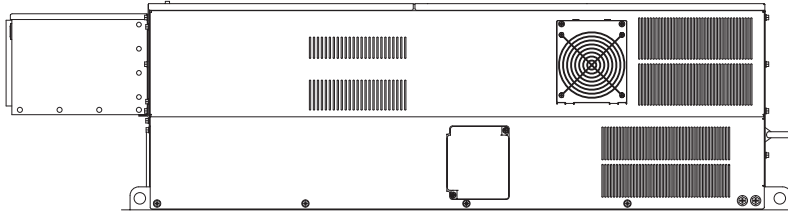
**E 41 kg (90.4 lbs.)**



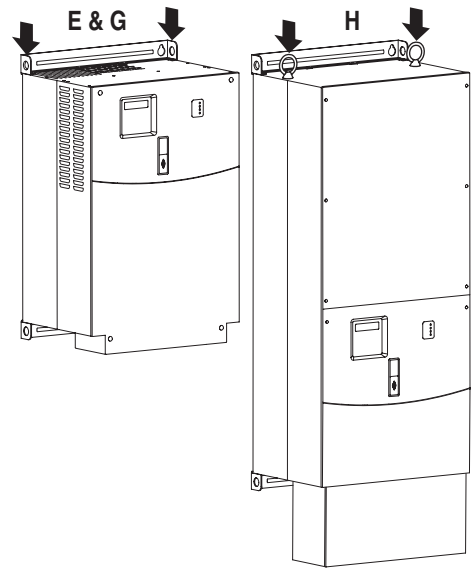
**G 89 kg (196.2 lbs.)**



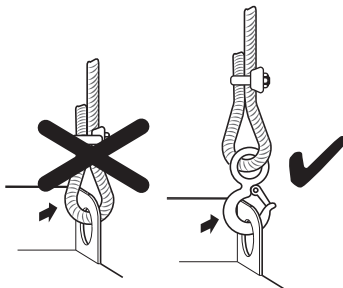
**H 157 kg (346.1 lbs.)**



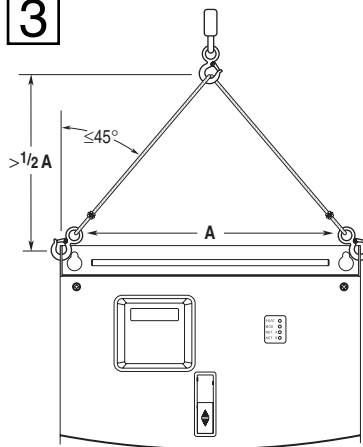
**1**



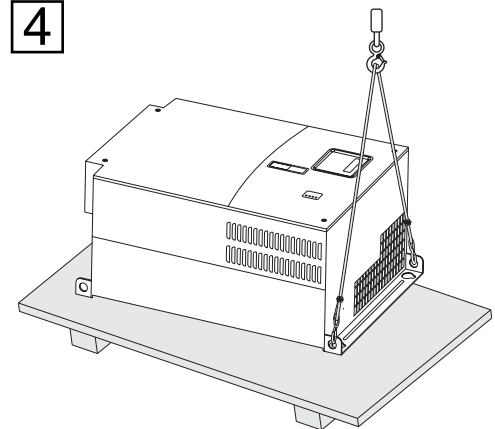
**2**



**3**

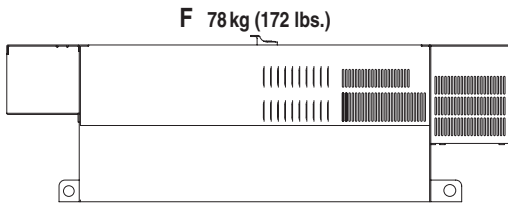


**4**

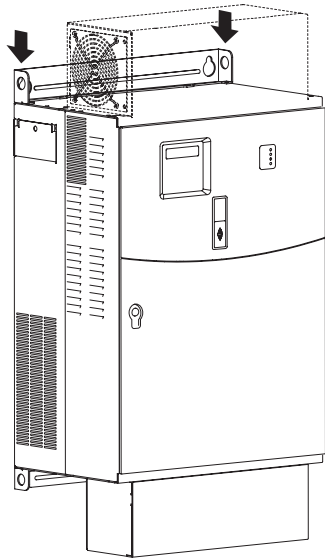


**Allen-Bradley Motors**

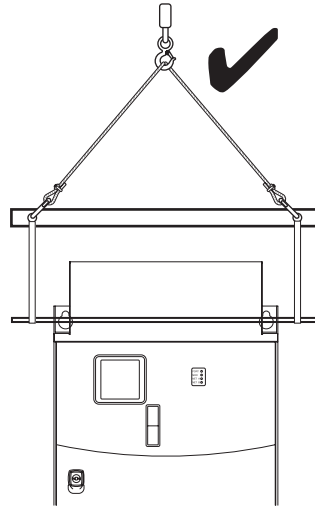
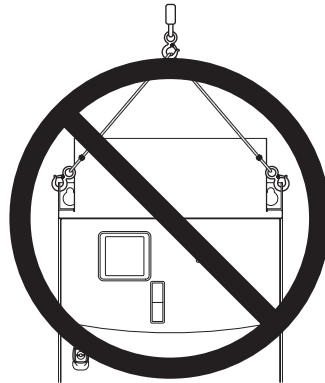
Frame  
 Baugröße  
 Taille  
 Quaro  
 Tamaño  
 Frame  
 Gabinete



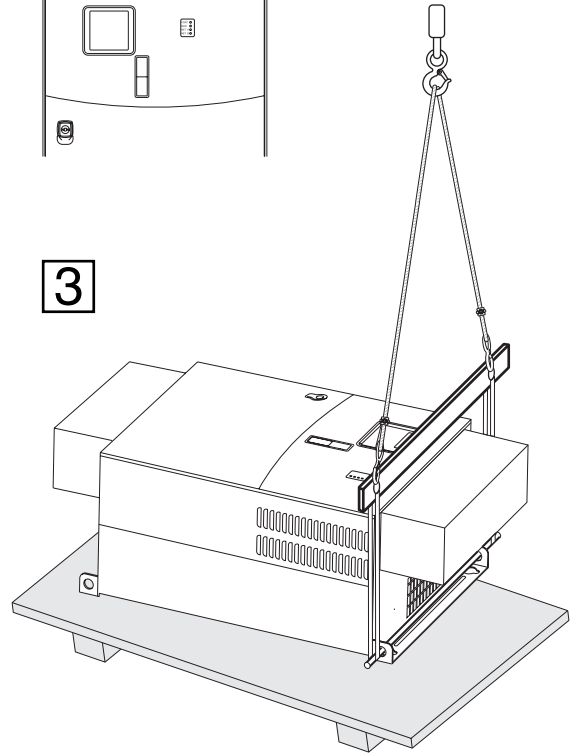
1



2



3



[www.rockwellautomation.com](http://www.rockwellautomation.com)



**Power, Control and Information Solutions Headquarters**

Americas: Rockwell Automation, 1201 South Second Street, Milwaukee, WI 53204-2496 USA, Tel: (1) 414.382.2000, Fax: (1) 414.382.4444

Europe/Middle East/Africa: Rockwell Automation, Vorstlaan/Boulevard du Souverain 36, 1170 Brussels, Belgium, Tel: (32) 2 663 0600, Fax: (32) 2 663 0640

Asia Pacific: Rockwell Automation, Level 14, Core F, Cyberport 3, 100 Cyberport Road, Hong Kong, Tel: (852) 2887 4788, Fax: (852) 2508 1846

Publication 22C-IN001C-EN-P - January 2007

Supersedes January 2005

Copyright © 2007 Rockwell Automation. All rights reserved. Printed in Taiwan.