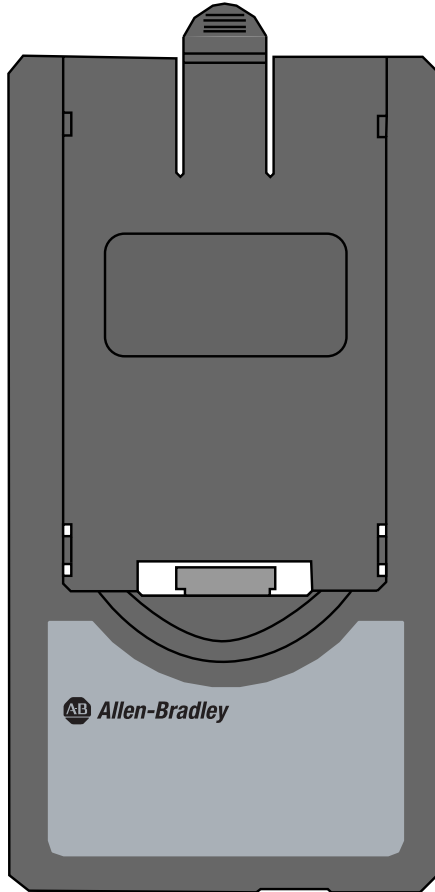




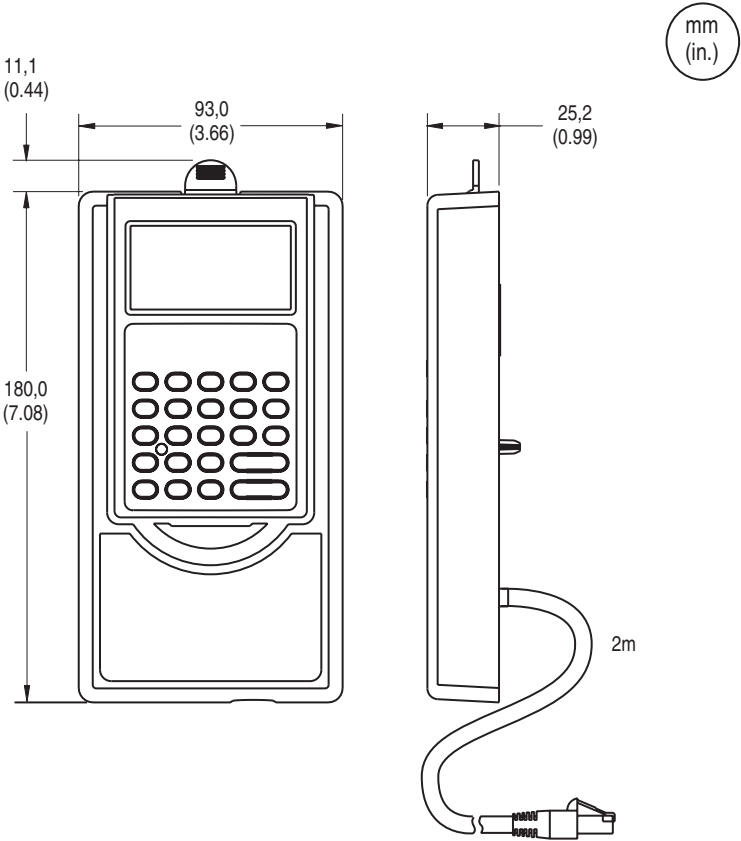
PowerFlex 4-Class HIM Bezel (DSI)

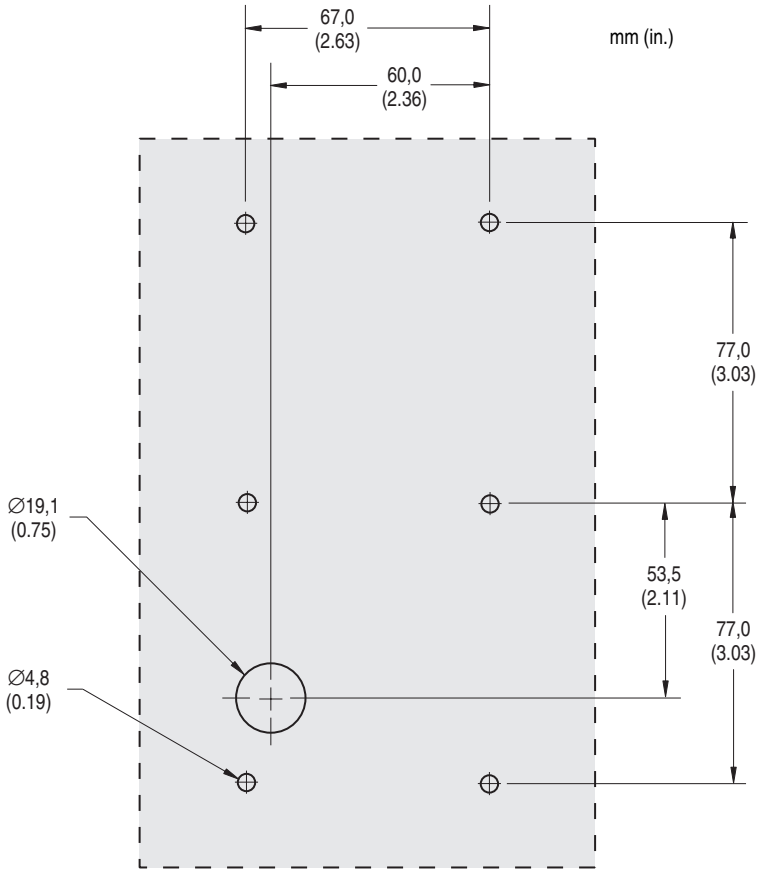


22-HIM-B1

IP20 (NEMA Type 1)

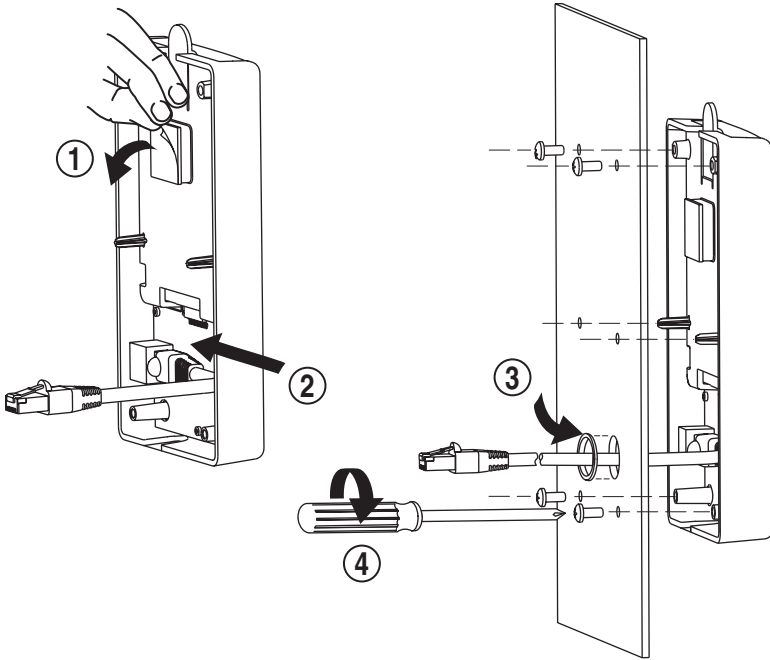
Dimensions





Front View

Mount



U.S. Allen-Bradley Drives Technical Support

Tel: (1) 262.512.8176, Fax: (1) 262.512.2222, Email: support@drives.ra.rockwell.com, Online: www.ab.com/support/abdrives

www.rockwellautomation.com

Power, Control and Information Solutions Headquarters

Americas: Rockwell Automation, 1201 South Second Street, Milwaukee, WI 53204-2496 USA, Tel: (1) 414.382.2000, Fax: (1) 414.382.4444
Europe/Middle East/Africa: Rockwell Automation, Vorstlaan/Boulevard du Souverain 36, 1170 Brussels, Belgium, Tel: (32) 2 663 0600, Fax: (32) 2 663 0640
Asia Pacific: Rockwell Automation, Level 14, Core F, Cyberport 3, 100 Cyberport Road, Hong Kong, Tel: (852) 2887 4788, Fax: (852) 2508 1846

Publication 22HIM-IN002C-EN-P - January, 2006
Supersedes 22HIM-IN002B-EN-P dated February, 2005

P/N 316439-P03
Copyright © 2006 Rockwell Automation, Inc. All rights reserved. Printed in USA.