



NRU/RGU DC Bus Energized Pilot Light and Legend Plate Replacement

Contents

This publication provides instructions for replacing the DC Bus Energized pilot light and legend plate on a Non-Regenerative DC Bus Supply Unit (NRU) or Regenerative DC Bus Supply Unit (RGU).

What This Kit Contains

- Bulletin 800MR Pilot Light and Legend Plate

Safety Precautions

The following general precautions apply to NRUs and RGUs and their respective drive systems:



ATTENTION: Only those familiar with the drive system, the products used in the system, and the associated machinery should plan or implement the installation, startup, and future maintenance of the system. Failure to comply can result in personal injury and/or equipment damage.



ATTENTION: Verify that the voltage on the bus capacitors has discharged before performing any work on the drive. Measure the DC bus voltage at the +DC & -DC terminals of the Power Terminal Block. The voltage must be zero.



ATTENTION: The system may contain stored energy devices. To avoid the hazard of electrical shock, verify that all voltage on capacitors has been discharged before attempting to service, repair, or remove a drive system or its components. You should only attempt the procedures in this manual if you are qualified to do so and are familiar with solid-state control equipment and the safety procedures in publication NFPA 70E.



ATTENTION: This drive contains **ESD** (Electrostatic Discharge) sensitive parts and assemblies. Static control precautions are required when installing, testing, servicing or repairing this assembly. Component damage may result if ESD control procedures are not followed. If you are not familiar with static control procedures, reference A-B publication 8000-4.5.2, *Guarding Against Electrostatic Damage* or other applicable ESD protection handbook.

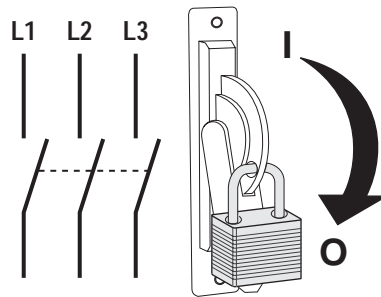
What You Need to Do

To replace the DC Bus Energized pilot light and legend plate:

- ❑ Step 1: Remove power from the NRU/RGU
- ❑ Step 2: Remove the existing pilot light and legend plate
- ❑ Step 3: Install the new pilot light and legend plate
- ❑ Step 4: Reconnect the wires to the lamp terminals

Step 1: Removing Power from the NRU/RGU

1. Turn off and lock out input power. Wait five minutes.
2. Verify that there is no voltage at the input power terminals.
3. Measure the DC bus voltage at the +DC & -DC terminals on the Power Terminal Block. The voltage must be zero.



Step 2: Removing the Existing Pilot Light and Legend Plate

1. Open the cabinet door and disconnect the wires from the existing DC Bus Energized pilot light terminals.
2. Unscrew and remove the existing pilot light operator assembly from the mounting plate on the back of the cabinet door.
3. Using a standard screwdriver, depress the plastic tab of the lens assembly where it is locked into the mounting plate and remove it.
4. Unscrew and remove the mounting plate from the cabinet door.

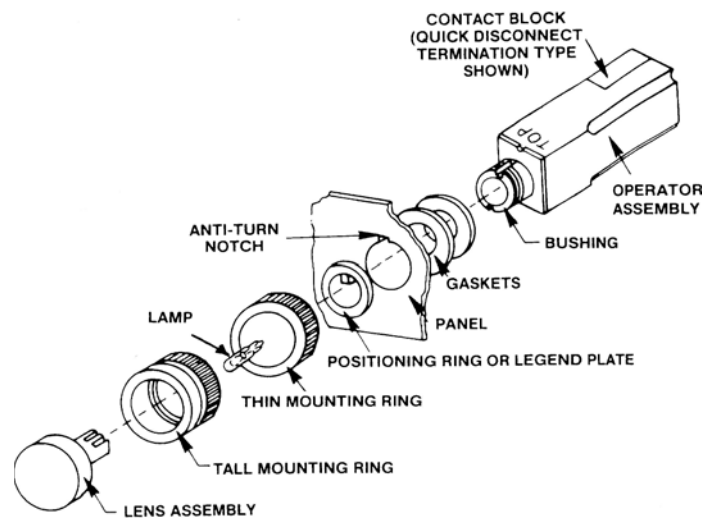
Step 3: Installing the New Pilot Light and Legend Plate

1. Place the proper combination of gaskets, determined from Table 1 below, onto the bushing and insert the bushing through the rear of the panel. The surface marked "TOP" should be in line with the anti-turn notch in the panel.

Table 1: Number of Gaskets Required

| Panel Thickness | .067 in. (1.7 mm) Gasket (Black) | + | .034 in. (0.9 mm) Gasket (Red) |
|-------------------|----------------------------------|---|--------------------------------|
| 1/16 in. (1.6 mm) | 3 | + | 2 |
| 3/32 in. (2.4 mm) | 3 | + | 1 |
| 1/8 in. (3.2 mm) | 3 | + | 0 |
| 5/32 in. (4.0 mm) | 2 | + | 1 |
| 3/16 in. (4.8 mm) | 2 | + | 0 |
| 7/32 in. (5.6 mm) | 1 | + | 1 |
| 1/4 in. (6.4 mm) | 1 | + | 0 |

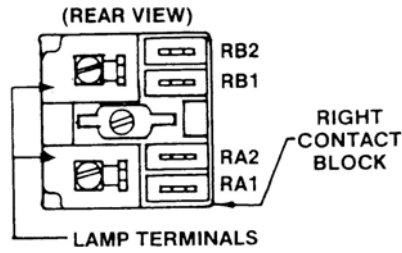
Figure 1 Bulletin 800MR Pilot Light Assembly



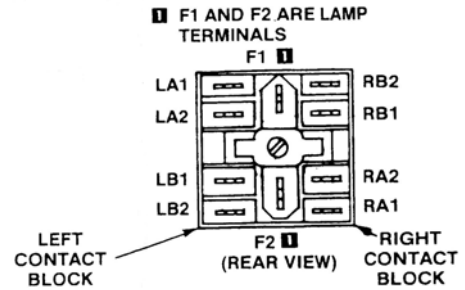
2. Install the legend plate on the bushing in line with the anti-turn notch in the panel.
3. Thread the "thin" mounting ring onto the bushing and tighten to compress the gaskets and to secure the unit on the panel.
4. Push the lens assembly into the bushing.
5. Thread the "tall" mounting ring onto the bushing and tighten against the thin mounting ring.

Step 4: Reconnecting the Wires to Lamp Terminals

1. Reconnect the existing wires to the lamp terminals as indicated below. Note that the polarity of the wire connections is not critical to lamp operation.



Transformer and Full Voltage With Screw Terminals



Full Voltage With Quick Disconnect Type Terminals.

2. Close the cabinet door and re-apply power to the NRU/RGU to verify that the pilot light indicates that the DC Bus is energized.

