



## RGU™ Spare Power Structure

### Important Information

Guidelines for proper removal and replacement of the parts contained in this spare part kit can be found in publication 2364F-5.01, *Regenerative DC Bus Supply Unit (RGU)–User Manual*, and in publication 2300-5.1, *Bulletin 2300 Family of Drive Systems–Installation Manual*.

If the listed manuals were not received with your RGU, contact your nearest Rockwell Automation sales/support office.



**ATTENTION:** Hazardous voltages are present in the RGU and associated equipment. Electric shock can cause severe injury or death. Do not attempt to install parts without observing procedures and precautions given in publications 2364F-5.01 and 2300-5.1. Contact Rockwell Automation if these manuals are not available.

### Updates to the RGU Power Structure

Several updates (shown in Table A) have been made in the Series B and Enhanced Series A RGU power structures. Table A shows the updates that have been made to each particular power structure.

**Table A: Power Structure Updates**

Power Structure	Updates	Actions Required (by User)
Enhanced Series A J-code RGU	<ol style="list-style-type: none"> <li>1. Firmware v3.01</li> <li>2. Ferrite clips added to ribbon cables</li> <li>3. Isolation board includes TB2 terminal block</li> </ol>	<ol style="list-style-type: none"> <li>1. Set up unit according to startup chapter in 2364F-5.01</li> <li>2. None ①</li> <li>3. None ②</li> </ol>
Enhanced Series A K or L-code RGU	<ol style="list-style-type: none"> <li>1. Firmware v3.01</li> <li>2. Ferrite clips added</li> <li>3. Isolation board includes TB2 terminal block</li> <li>4. 3-phase precharge added (3 resistors/3 fuses total)</li> </ol>	<ol style="list-style-type: none"> <li>1. Set up unit according to startup chapter in 2364F-5.01</li> <li>2. None ①</li> <li>3. None ②</li> <li>4. See <i>Power Structure Wiring Connections</i> (next page)</li> </ol>
Series B M or N-code RGU	<ol style="list-style-type: none"> <li>1. Firmware v3.01</li> <li>2. Ferrite clips added</li> <li>3. Isolation board includes TB2 terminal block</li> <li>4. 3-phase precharge added (6 resistors/3 fuses total)</li> <li>5. Power supply filter board added</li> <li>6. Current transducer added to L2</li> <li>7. Auxiliary power supply added (M-code) or enlarged (N-code)</li> <li>8. Location of optional hub board changed (2364P only)</li> </ol>	<ol style="list-style-type: none"> <li>1. Set up unit according to startup chapter in 2364F-5.01</li> <li>2. None ①</li> <li>3. None ①</li> <li>4. See <i>Power Structure Wiring Connections</i> (next page)</li> <li>5. None ①</li> <li>6. None ①</li> <li>7. None ①</li> <li>8. Wire slave RGUs appropriately</li> </ol>

① Item is installed by manufacturer. No installation required.

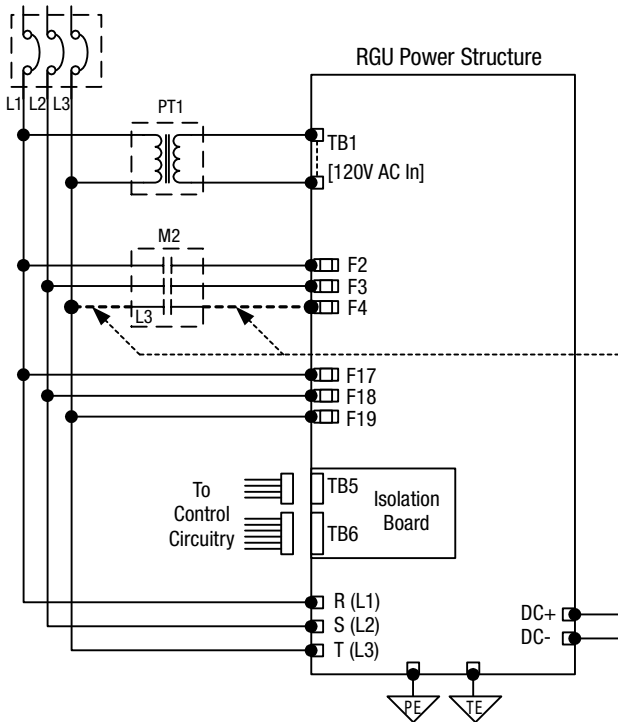
② TB2 is not used in Enhanced Series A units.

## Power Structure Wiring Connections

When replacing the power structure according to publication 2300-5.1, you will need to remove and reattach the connections shown in Figure 1.

**Important:** *K-N code units only:* If the old power structure does not have a 3-phase precharge, connect L1 to F2 and connect L2 to F3 (precharge fuse F4 will not be used).

**Figure 1**  
Typical Power Structure Wiring Connections



**Important:** *K-N code RGUs only:* If the old power structure did not have a 3-phase precharge circuit, do not connect any wiring to F4. (Verify that L2 is connected to precharge fuse F3.)

**Note:** Also, be sure to disconnect (and reconnect) any SCANport, Analog I/O, or R2R communication connections.

### Reach us now at [www.rockwellautomation.com](http://www.rockwellautomation.com)

Wherever you need us, Rockwell Automation brings together leading brands in industrial automation including Allen-Bradley controls, Reliance Electric power transmission products, Dodge mechanical power transmission components, and Rockwell Software. Rockwell Automation's unique, flexible approach to helping customers achieve a competitive advantage is supported by thousands of authorized partners, distributors and system integrators around the world.

**Americas Headquarters**, 1201 South Second Street, Milwaukee, WI 53204, USA, Tel: (1) 414 382-2000, Fax: (1) 414 382-4444  
**European Headquarters SA/NV**, avenue Herrmann Debroux, 46, 1160 Brussels, Belgium, Tel: (32) 2 663 06 00, Fax: (32) 2 663 06 40  
**Asia Pacific Headquarters**, 27/F Citicorp Centre, 18 Whitfield Road, Causeway Bay, Hong Kong, Tel: (852) 2887 4788, Fax: (852) 2508 1846

Publication 2364F-5.20 March 1999

Supersedes Publication 2364F-5.20 - May 1998



# Rockwell Automation

PN 192667

Copyright 1999 of Rockwell International Corporation. Printed in the USA