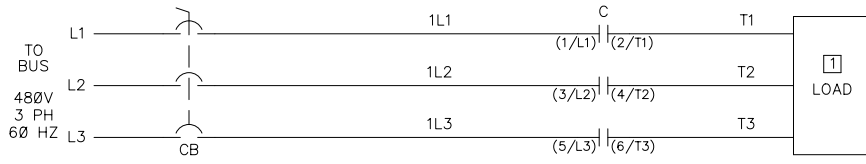
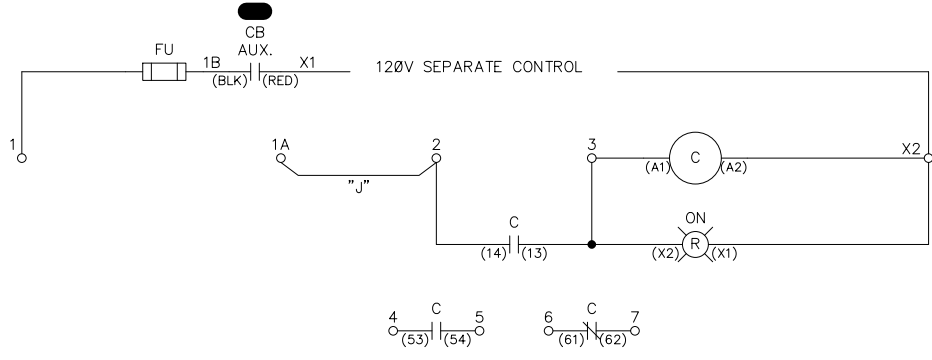


A



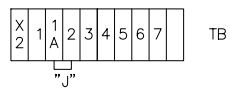
B

C



D

E



F

THE CIRCUIT IS TYPICAL OF A 30 AMP BUL 2403 FVC CONTACTOR WITH 120 VOLT SEPARATE CONTROL OPTIONS:

- 1 CONTROL CIRCUIT FUSE
- 1 'ON' PILOT LIGHT (RED)
- 1 N.O. AUXILIARY CONTACT ON THE CONTACTOR
- 1 N.C. AUXILIARY CONTACT ON THE CONTACTOR
- 1 N.O. AUXILIARY CONTACT IN THE CIRCUIT BREAKER

G

A COMPLETE AND ACCURATE REPRESENTATION OF THE CIRCUIT DEPENDS ON THE RATING AND OPTIONS ORDERED.

NOTES

1
REMOTE DEVICE

INTERNAL CB DEVICES SUPPLIED WITH UNMOUNTED CONNECTION BLOCKS.

H

References		BUL. 2403 30 AMP		
Revision		Dimensions Apply Before Surface Treatment		
Release		Dimensions in Inches Tolerances Unless Otherwise Specified		Dr. _____ Date _____ Chkd. _____ Date _____ Appd. _____ Date _____
1	08/28/01	2 Place Decimal ± .02		
		3 Place Decimal ± .005		
Refer. Book		Angles ± 1		Sheet 1 Of 1 Dwg Size C 2403WB003

