



The RediSTATION™ Operator Interface Connects to the DeviceNet™ Network

Bulletin 2705



94C41-2

Overview

The Bulletin 2705 RediSTATION is a 3-push button unit that operates as a slave device on the DeviceNet™ network. The station receives all power directly from the DeviceNet connection, eliminating the need for a separate power supply. A PLC-5 controller with a DeviceNet Scanner module controls RediSTATION operations by reading inputs and controlling outputs.

The RediSTATION supports three 800T devices in a standard or custom configuration. The standard unit has two push buttons (start and stop) and one pilot light that are prewired for easy installation. Custom build stations support a variety of 800T devices that are prewired or customer installed.

Product Features

- ▶ **Standard or Custom Build Stations** provide 4 inputs and 2 outputs for application flexibility. Custom units support 800T pilot lights and illuminated/non-illuminated push buttons, selector switches, key switches.
- ▶ **DeviceNet Interface Communication Board** supporting 4 inputs and 2 outputs can be ordered separately for custom applications and new product development.
- ▶ **Die Cast Enclosure** complies with NEMA Type 4,12,13 and Class 1, DIV 2 standards for operations in heavy industrial environments.
- ▶ **Surface Mounting Device** allows easy installation of the RediSTATION.
- ▶ **10-Position DIP Switch** facilitates configuration of DeviceNet network characteristics and output (pilot light) parameters.
- ▶ **Sealed Mini-connector or Terminal Block** provides error-proof connection to the DeviceNet network. This is the only external connection.
- ▶ **I/O Connector** supports a variety of operators that are easily installed in the field.
- ▶ **Powered by DeviceNet Connection** eliminating the need for a separate power supply.
- ▶ **Bi-color Status LED** provides visual indication of network and output operations.

RediSTATION Product Options

Description	Catalog Number
Standard Configuration (1 stop push button, 1 start push button, 1 pilot light)	2705-T3DN1A42A
Custom Configuration	2705-T3DN1B42X
DeviceNet Interface Communication Board (with I/O connector cables and DeviceNet PCB Terminal Block Connector)	2705-DN42

RediSTATION Specifications

Electrical

Supply Voltage	11 to 25 VDC
Power Consumption	7 Watts Maximum
Inputs	
Maximum Number	4
Type	Hard Contact Sourcing
Voltage/Current	24 VDC/24mA Maximum
Outputs	
Maximum Number	2
Voltage/Current	24 VDC/100mA Maximum

Mechanical

Enclosure	NEMA Type 4, 12, 13 UL Listed Class 1, Division 2
LED Indicator	Operating Status (Green/Red)
Weight	3.1 lbs (1.4 kg)
Dimensions	
Inches	8.15(H) x 3.81(W) x 4.41(D)
Millimeters	207.0(H) x 96.8(W) x 112.0(D)

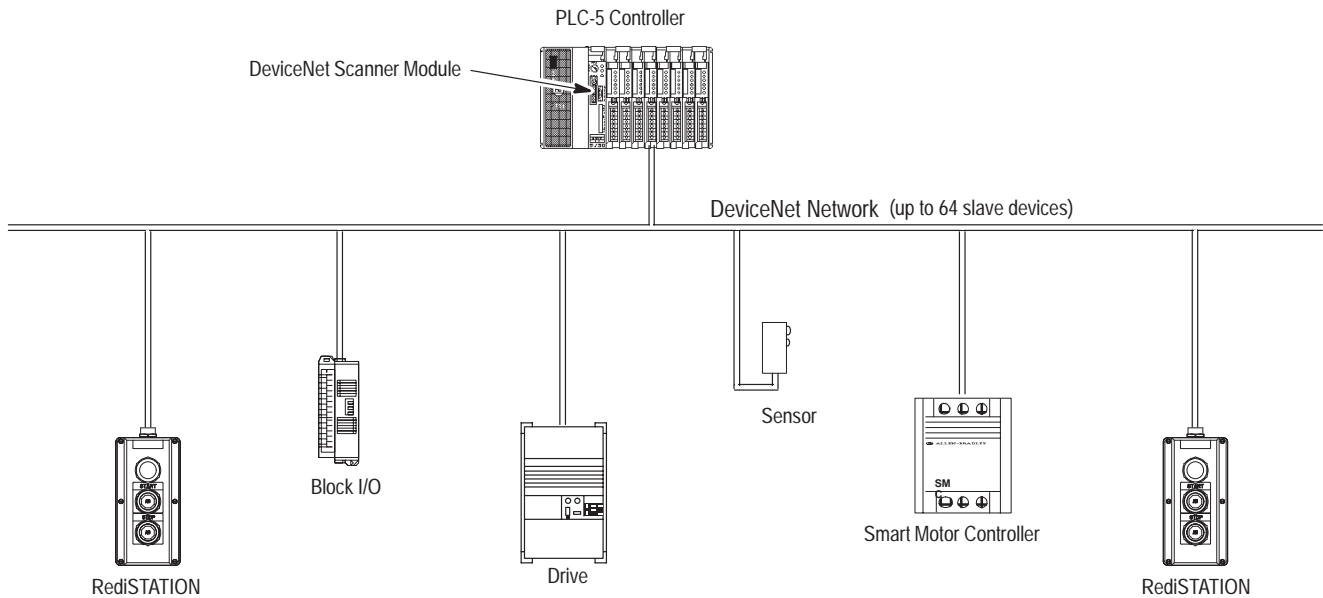
Communications

DeviceNet Network	
Baud Rate	125K, 250K, 500K
Distance Maximum	500 meters (1600 feet) @125K bps 200 meters (600 feet) @250K bps 100 meters (300 feet) @500K bps

Environmental

Operating Temperature	0 to 55° C (32 to 131° F)
Storage Temperature	-40 to 85° C (-40 to 185° F)
Relative Humidity	5 to 95%, noncondensing 50% Maximum at 40° C (104° F)
Shock	
Operating	30G
Non-operating	50G
Vibration	
Operating	2.5G at 58 to 2000 Hz 5 to 57 Hz 0.38mm displacement (peak-to-peak)
Non-operating	5.0G at 58 to 2000 Hz 5 to 57 Hz 0.76mm displacement (peak-to-peak)

DeviceNet Connections



Rockwell Automation
Allen-Bradley