

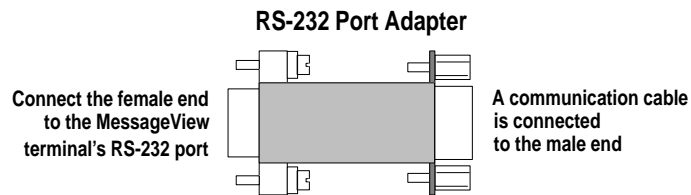


MessageView 421 Display Terminals Series A: RS-232 Port Adapter (Part No. W77128-144-52)

Description

The RS-232 Port Adapter is connected to the RS-232 port of a MessageView terminal Series A. It transforms the terminal into a standard DCE device. Once installed, it may be left on the terminal port.

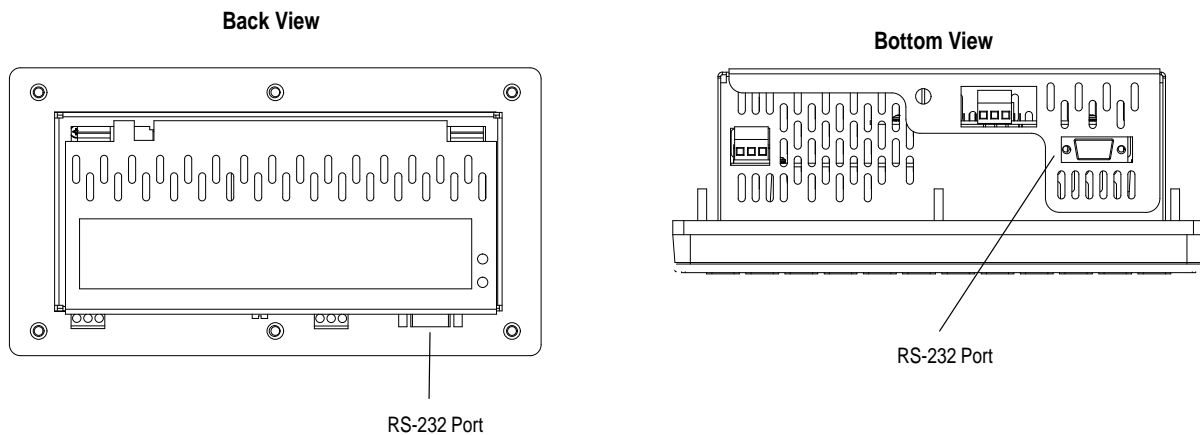
Note: Cable pinouts shown in the MessageView user manual reflect the terminal's actual RS-232 port pinout without the RS-232 Port Adapter installed.



The RS-232 Port Adapter is included with your terminal. Replacement Part No. W77128-144-52.

Equipment Setup

Series A MessageView terminals, 421F, 421N or 421D, have an RS-232 port accessed from the bottom.

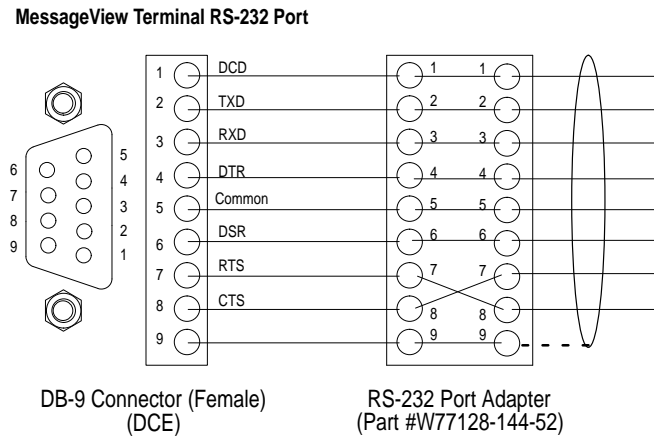


To install the RS-232 Port Adapter, follow these steps:

1. Turn off power to the MessageView terminal.
2. Locate the RS-232 port (a 9-pin D connector).
3. Insert the female end of the RS-232 Port Adapter into the terminal's male RS-232 port connector.
4. Tighten the locking screws finger tight.
5. Turn on power to the terminal.

Pinout of the RS-232 Port Adapter

The Adapter is used to swap the RTS/CTS handshake signals on the RS-232 port. This converts the MessageView terminal into a standard DCE device.



Allen-Bradley, a Rockwell Automation Business, has been helping its customers improve productivity and quality for more than 90 years. We design, manufacture and support a broad range of automation products worldwide. They include logic processors, power and motion control devices, operator interfaces, sensors and a variety of software. Rockwell is one of the world's leading technology companies.

Worldwide representation.

Argentina • Australia • Austria • Bahrain • Belgium • Brazil • Bulgaria • Canada • Chile • China, PRC • Colombia • Costa Rica • Croatia • Cyprus • Czech Republic • Denmark • Ecuador • Egypt • El Salvador • Finland • France • Germany • Greece • Guatemala • Honduras • Hong Kong • Hungary • Iceland • India • Indonesia • Ireland • Israel • Italy • Jamaica • Japan • Jordan • Korea • Kuwait • Lebanon • Malaysia • Mexico • Netherlands • New Zealand • Norway • Pakistan • Peru • Philippines • Poland • Portugal • Puerto Rico • Qatar • Romania • Russia-CIS • Saudi Arabia • Singapore • Slovakia • Slovenia • South Africa, Republic • Spain • Sweden • Switzerland • Taiwan • Thailand • Turkey • United Arab Emirates • United Kingdom • United States • Uruguay • Venezuela • Yugoslavia

Allen-Bradley Headquarters, 1201 South Second Street, Milwaukee, WI 53204 USA, Tel: (1) 414 382-2000 Fax: (1) 414 382-4444