



InView Firmware Update

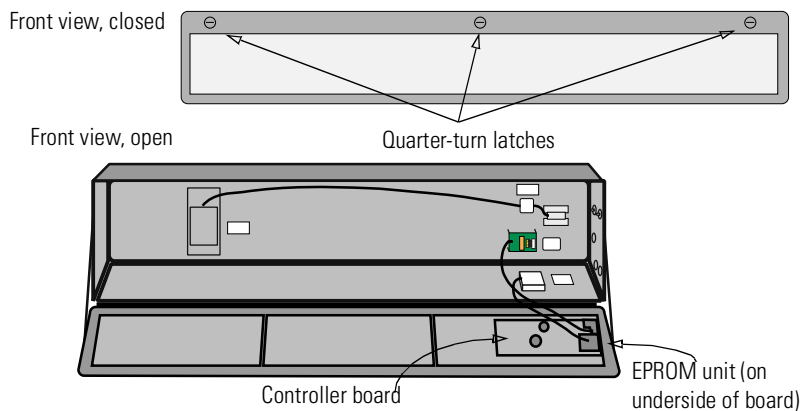
WARNING



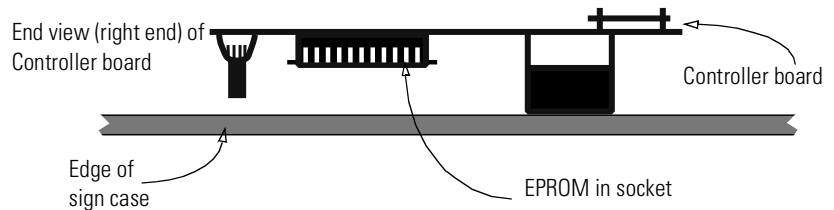
Hazardous voltage. Contact with high voltage may cause death or serious injury. Always disconnect power to sign prior to servicing.

Changing EPROM on 2706-P72, 2706-P74

1. Open the front of the sign case by turning the latches to the left. Carefully let the front of the case drop forward.



2. On the underside of the Controller board, firmly pull down on the end tabs of the EPROM. Carefully pull it out of the socket.



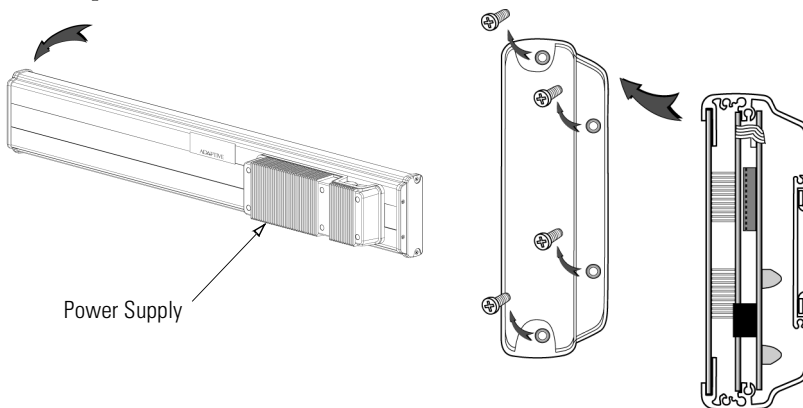
3. Matching the side notches of the new EPROM to the socket, press the new EPROM firmly into the socket.
4. Carefully close the sign and tighten the latches.

Allen-Bradley

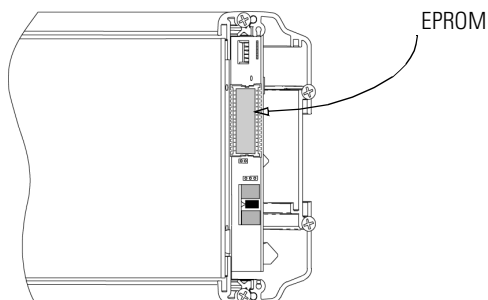
Changing EPROM on 2706-P42, 2706-P43, 2706-P44

The EPROM is located at the end of the sign opposite the power supply.

1. Remove the four screws holding the end cover using a #2 Phillips screwdriver.



2. Firmly pull down on the end tabs of the EPROM. Carefully pull it out of the socket.



3. Matching the side notches of the new EPROM to the socket, press the new EPROM firmly into the socket.
4. Replace the end cover and screws. Torque end cover screws to 24 inch-pounds.

Firmware Upgrade Kit

| Product Catalog Number | Firmware Upgrade Kit Number |
|-------------------------------|------------------------------------|
| 2706-P42R | 2706-FRNP42R |
| 2706-P42C | 2706-FRNP42C |
| 2706-P44R | 2706-FRNP44R |
| 2706-P44C | 2706-FRNP44C |
| 2706-P43R | 2706-FRNP43R |
| 2706-P43C | 2706-FRNP43C |
| 2706-P72CN1 and 2706-P72CN2 | 2706-FRNP72C |
| 2706-P74CN1 and 2706-P74CN2 | 2706-FRNP74C |

www.rockwellautomation.com

Corporate Headquarters

Rockwell Automation, 777 East Wisconsin Avenue, Suite 1400, Milwaukee, WI, 53202-5302 USA, Tel: (1) 414.212.5200, Fax: (1) 414.212.5201

Headquarters for Allen-Bradley Products, Rockwell Software Products and Global Manufacturing Solutions

Americas: Rockwell Automation, 1201 South Second Street, Milwaukee, WI 53204-2496 USA, Tel: (1) 414.382.2000, Fax: (1) 414.382.4444

Europe: Rockwell Automation SA/NV, Vorstlaan/Boulevard du Souverain 36-BP 3A/B, 1170 Brussels, Belgium, Tel: (32) 2 663 0600, Fax: (32) 2 663 0640

Asia Pacific: Rockwell Automation, 27/F Citicorp Centre, 18 Whitfield Road, Causeway Bay, Hong Kong, Tel: (852) 2887 4788, Fax: (852) 2508 1846

Headquarters for Dodge and Reliance Electric Products

Americas: Rockwell Automation, 6040 Ponders Court, Greenville, SC 29615-4617 USA, Tel: (1) 864.297.4800, Fax: (1) 864.281.2433

Europe: Rockwell Automation, Brühlstraße 22, D-74834 Elztal-Dallau, Germany, Tel: (49) 6261 9410, Fax: (49) 6261 17741

Asia Pacific: Rockwell Automation, 55 Newton Road, #11-01/02 Revenue House, Singapore 307987, Tel: (65) 351 6723, Fax: (65) 355 1733

Publication 2706-IN009B-EN-P - March 2002

Supersedes Publication 2706-IN009A-EN-P - December 2001

PN 41061-268-01(2)

Copyright © 2002 Rockwell Automation. All rights reserved. Printed in the U.S.A.