

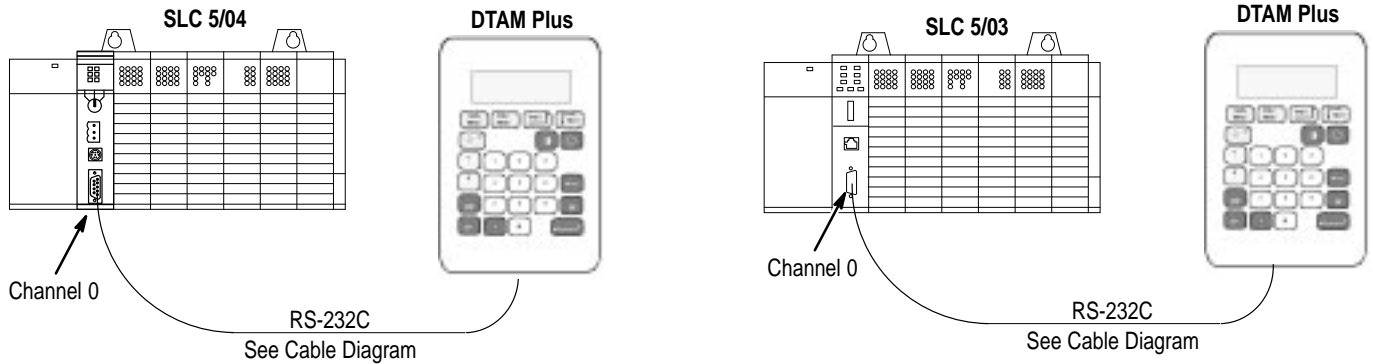


# Connecting a DTAM™ Plus to an SLC™ 5/03 or 5/04

## Application Note

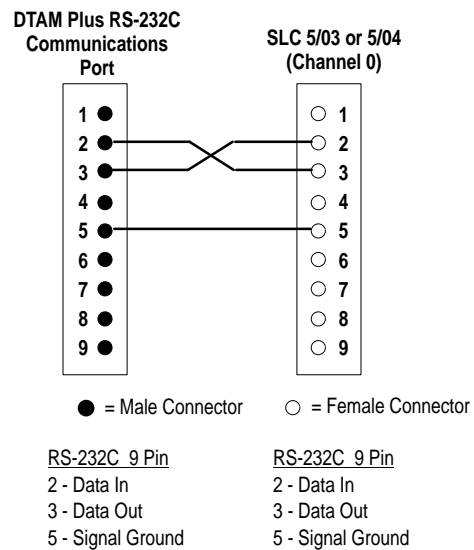
### Overview

This application note describes how to connect a DTAM Plus Operator Interface Module to channel 0 of an SLC 5/03 or 5/04.



### Cable Diagram

Refer to the the following pinouts when creating the communication cable.



## SLC Configuration

### Parameters

Make sure that channel 0 is set up for DH-485 MASTER and the following parameters match the DTAM Plus.

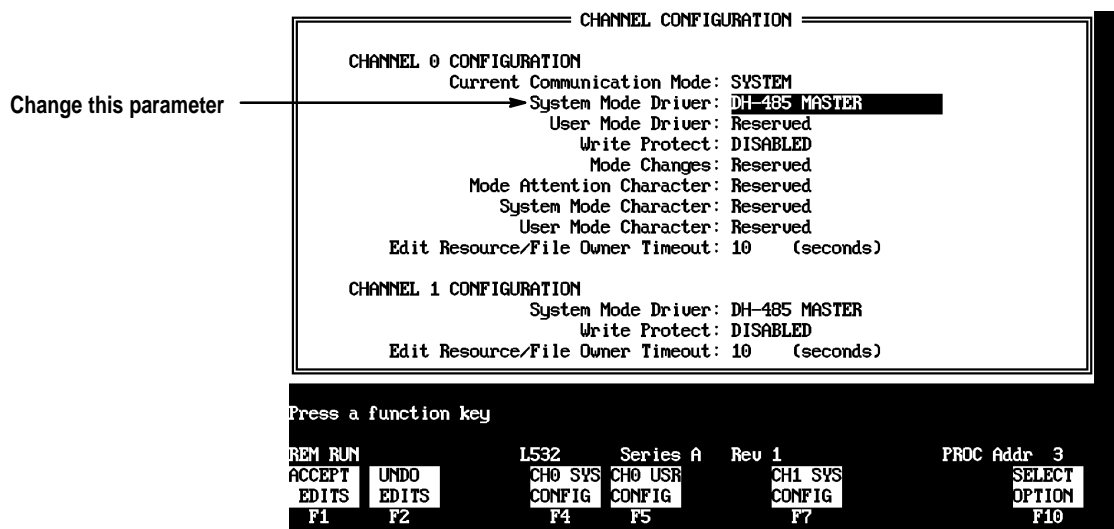
Parameter	Selections	Recommended
Baud Rate	1200, 2400, 9600, 19.2K	19.2K
Node Address	1 to 31	1 <sup>①</sup>
Maximum Node Address	1 to 31	1 <sup>①</sup>
Token Hold Factor	1 to 4	1
Diagnostic File Number	0 to 255	Any

① To provide maximum response times, we recommend that the DTAM Plus be set as node 0 and the SLC channel 0 as node 1. Maximum node address should be 1. The connections are a completely separate DH-485 network, you do not need to be concerned about duplicate node addresses from another network.

### Setup Procedure

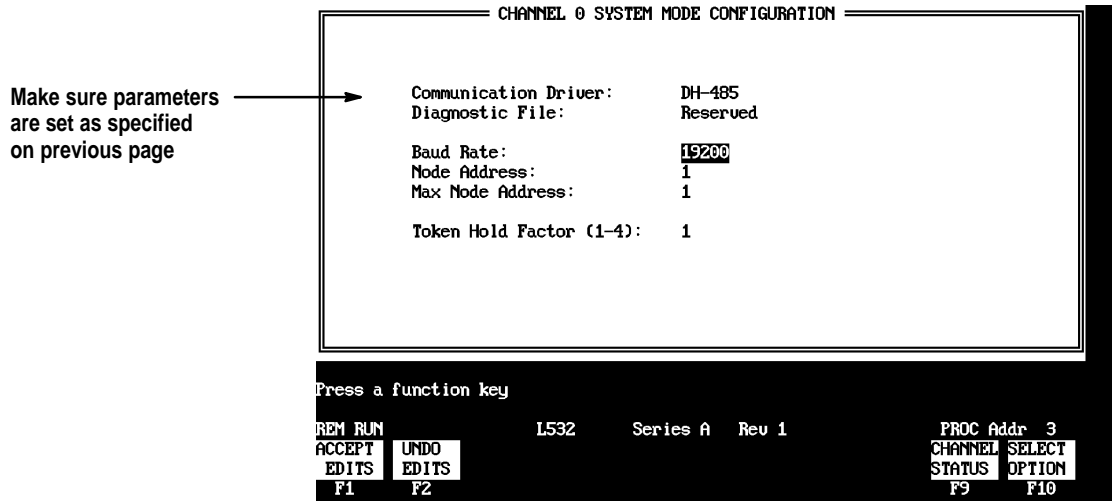
To configure channel 0 using APS software.

1. Select *Online* [F1] from the main menu.
2. Select *Processor Functions* [F1] from the next menu.
3. Select *Channel Config* [F4] to display the channel configuration screen



4. Make sure DH-485 MASTER is selected, use [F10].  
Select *Accept Edits* [F1].
5. Perform *Reconfiguration* [F8] and then select *Channel Config* [F4].

6. Select *Ch0 Sys Config* [F4] to display:



7. Select *Select Option* [F10] to change parameters.
8. Select *Accept Edits* [F1].
9. Perform *Reconfiguration* [F8].
10. Select *Accept Edits* [F1] and restore program to the SLC 5/03 or 5/04.

## DTAM Plus Configuration

### Setup Procedure

On the DTAM Plus configuration software:

1. Select *Edit Program File* then select *File Name* configured for DH485.
2. Enter *DTAM Plus File Configuration Data* and select *SLC Hardware Parameters*.
3. Set *Max Node Address* as node 1.
4. Set *SLC 500 Node Address* as node 1.
5. Set *DTAM Plus Node Address* as node 0.
6. Save the file and re-download, see DTAM Plus User Manual.

## DIP Switches

Make sure that the DTAM Plus communication parameters match that of the SLC 5/03 or 5/04, see table on page 2. The DTAM Plus DIP switches should be set as follows:

	1	2	3	4	5	6
SW-1	OFF	OFF	ON	ON	OFF	OFF

DIP Switches (SW1)	Function	Setting
SW1-1	Upload/Download Enable	Off
SW1-2	Communication Port Selection	Off
SW1-3	Master Security Enable	On
SW1-4	Function Key Enable	On
SW1-5	Terminal Mode Enable	Off
SW1-6	COMM Upload/Download Enable	Off



Allen-Bradley has been helping its customers improve productivity and quality for 90 years. A-B designs, manufactures and supports a broad range of control and automation products worldwide. They include logic processors, power and motion control devices, man-machine interfaces and sensors. Allen-Bradley is a subsidiary of Rockwell International, one of the world's leading technology companies.



With major offices worldwide.

Algeria • Argentina • Australia • Austria • Bahrain • Belgium • Brazil • Bulgaria • Canada • Chile • China, PRC • Colombia • Costa Rica • Croatia • Cyprus • Czech Republic • Denmark • Ecuador • Egypt • El Salvador • Finland • France • Germany • Greece • Guatemala • Honduras • Hong Kong • Hungary • Iceland • India • Indonesia • Israel • Italy • Jamaica • Japan • Jordan • Korea • Kuwait • Lebanon • Malaysia • Mexico • New Zealand • Norway • Oman • Pakistan • Peru • Philippines • Poland • Portugal • Puerto Rico • Qatar • Romania • Russia-CIS • Saudi Arabia • Singapore • Slovakia • Slovenia • South Africa, Republic • Spain • Switzerland • Taiwan • Thailand • The Netherlands • Turkey • United Arab Emirates • United Kingdom • United States • Uruguay • Venezuela • Yugoslavia

World Headquarters, Allen-Bradley, 1201 South Second Street, Milwaukee, WI 53204 USA, Tel: (1) 414 382-2000 Fax: (1) 414 382-4444