

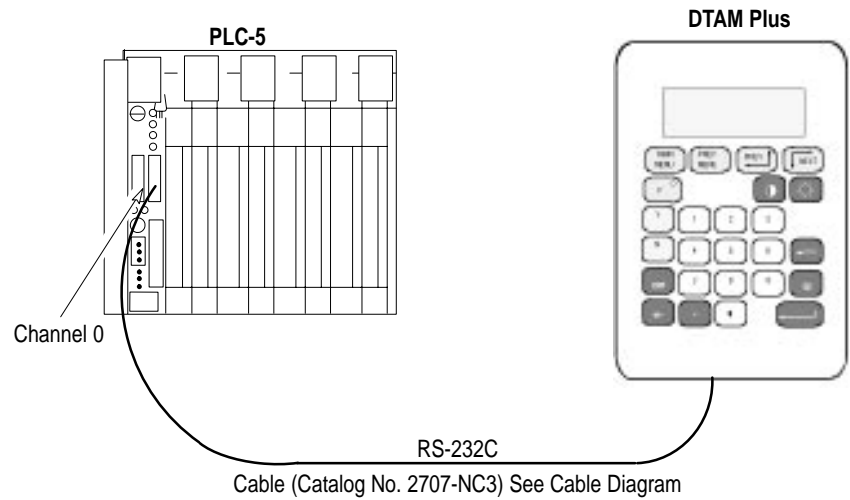


Connecting a DTAM™ Plus to a PLC-5™

Application Note

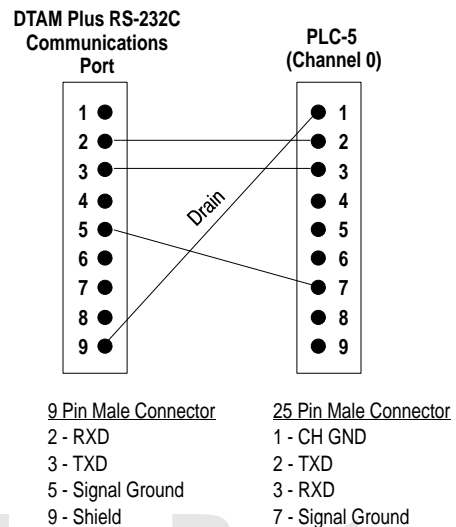
Overview

This application note describes how to connect a DTAM Plus Operator Interface Module to channel 0 of a new platform PLC-5.



Cable Diagram

Refer to the the following pinouts when creating the communication cable.



PLC-5 Configuration

To configure the Channel 0 port of a new platform PLC-5 for communications with a DTAM Plus:

1. Run the Allen-Bradley 6200 Series Programming Software.
2. Select [F1] *Online Program*. You can also use [F5] *Who's Active*.
3. Select [F8] *Monitor File*.
4. Select [F7] *General Utility*.
5. Change the PLC-5 to Program Mode. Use the key switch.
6. Select [F4] *Channel Overview*.
7. Use the arrow keys to select *CH 0*.
8. Channel 0 must be set to **System Pt-Pt**. Use [F10] to select option.
9. Select [F1] *Accept Edits*.
10. Select [F5] *Channel Config* to bring up the channel configuration screen.
11. Edit the configuration screen so it looks like this:

Channel 0 Configuration

Channel Configuration Option	System DF1 Pt-Pt
Diagnostic File	0
Remote File	Disabled
Mode Atten. Change	NA
System Mode Character	NA
User Mode Character	NA
Baud Rate	300/1200/9600/19200K Baud to Match DTAM Plus
Stop Bits	1
Control Line	No Handshaking
Duplicate Detect	NA
ACK Timeout	NA
Message Timeout	NA
Error Detect	CRC
NAK Receive	NA
DF1 ENQs	NA

12. Select [F1] *Accept Edit*.

DTAM Plus Configuration

Setup Procedure

On the DTAM Plus configuration software:

1. Select *Edit Program File* then select *File Name*.
2. Enter *DTAM Plus File Configuration Data* and select *PLC Hardware Parameters*.
3. Set *Baud Rate* to match PLC setup.
4. Save the file and download to DTAM Plus, see DTAM Plus User Manual for download DIP switch settings and procedures.

DIP Switches

The DTAM Plus DIP switches should be set as follows:

	1	2	3	4	5	6
SW-1	OFF	OFF	ON	ON	OFF	OFF

DIP Switches (SW1)	Function	Setting
SW1-1	Upload/Download Enable	Off
SW1-2	Communication Port Selection	Off
SW1-3	Master Security Enable	On
SW1-4	Function Key Enable	On
SW1-5	Terminal Mode Enable	Off
SW1-6	COMM Upload/Download Enable	Off



Allen-Bradley has been helping its customers improve productivity and quality for 90 years. A-B designs, manufactures and supports a broad range of control and automation products worldwide. They include logic processors, power and motion control devices, man-machine interfaces and sensors. Allen-Bradley is a subsidiary of Rockwell International, one of the world's leading technology companies.



With major offices worldwide.

Algeria • Argentina • Australia • Austria • Bahrain • Belgium • Brazil • Bulgaria • Canada • Chile • China, PRC • Colombia • Costa Rica • Croatia • Cyprus • Czech Republic • Denmark • Ecuador • Egypt • El Salvador • Finland • France • Germany • Greece • Guatemala • Honduras • Hong Kong • Hungary • Iceland • India • Indonesia • Israel • Italy • Jamaica • Japan • Jordan • Korea • Kuwait • Lebanon • Malaysia • Mexico • New Zealand • Norway • Oman • Pakistan • Peru • Philippines • Poland • Portugal • Puerto Rico • Qatar • Romania • Russia-CIS • Saudi Arabia • Singapore • Slovakia • Slovenia • South Africa, Republic • Spain • Switzerland • Taiwan • Thailand • The Netherlands • Turkey • United Arab Emirates • United Kingdom • United States • Uruguay • Venezuela • Yugoslavia

World Headquarters, Allen-Bradley, 1201 South Second Street, Milwaukee, WI 53204 USA, Tel: (1) 414 382-2000 Fax: (1) 414 382-4444