

PanelView™ 300 Keypad Operator Interface Terminal



Product Profile

Compact Package

The PanelView 300 Keypad operator interface terminal offers graphical operator interface capabilities in a cost-effective and compact format. With an installed depth of only 2.7", the 24V dc PanelView 300 offers high-performance functionality where cost and panel space is at a premium. This operator terminal, ideal for high ambient light applications, features pixel graphics in a 3" liquid crystal, LED back-lit, monochrome display.

High Performance

The PanelView 300 Keypad terminals offer users the same comprehensive features found in all PanelView operator terminals. These features include:

- Universal Language Support with simplified conversion for screen and object text in more than 46 different languages.
- Extensive alarm capabilities that allow for logging of alarms not only on a historical basis, but also as currently active versus inactive.
- OEM communications that include DeviceNet™, DF-1™, DH-485 and RS-232 (DH-485 protocol).
The PanelView 300 Keypad terminals are ideal for MicroLogix™ and SLC 500™ controller applications.
- Pixel graphic displays, featuring a 3" liquid crystal display (LCD).
- ATA PC memory cards for easy transfer of applications among other PanelView terminals
- Well suited for high ambient light applications
- 100,000 hour LED backlight needs no replacing



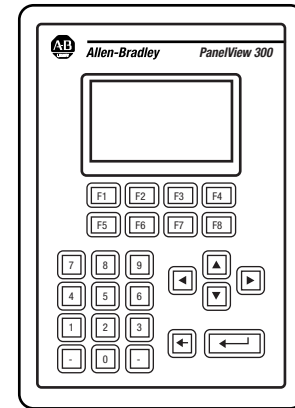
Easy Screen Configuration

Develop your PanelView 300 screens with PanelBuilder32™, the development software for the entire family of PanelView operator terminals, including the PanelView 300 Keypad, 550 and 550 Touch-Only, 600 and 600 Touch-Only, 900, 1000 and 1400. PanelBuilder32 allows easy conversion and reuse of applications among these display terminals. It's Microsoft® Windows® graphical interface simplifies application design and reduces development costs. Screen configuration is easy, using such tools as symbols, objects, graphics and imported bitmap images. Cut, copy, paste and tag import/export capabilities between PanelView applications and Rockwell Software Controller programming packages offer additional time-saving advantages.

Specifications

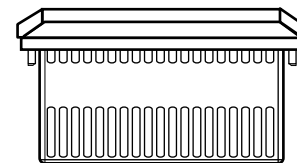
Display	
Type	Graphic Monochrome LCD with integral LED Backlight (100,000 hour life)
Size	73x42mm (2.87x1.67 in.)
Pixels	128x64
Input Keys	8 function keys, numeric keypad and cursor keys
Application Memory	
	256K Flash (application screen storage)
Real Time Clock	
	Battery-backed clock timestamps critical data
Electrical	
Communications Port	DeviceNet, DF-1, DH-485, RS-232 (DH-485 protocol)
RS-232 Port	1200, 2400, 9600, 19200 baud rate
Power Requirements	18-32V dc (0.75A @ 24V dc)
Power Consumption	8 VA Watts maximum
Environmental	
Operating Temperature	0 to 55°C (32 to 131°F)
Storage Temperature	-20 to 85°C (-4 to 188°F)
Humidity Rating	5 to 95%, non-condensing
Ratings	NEMA Type 12, 13, 4x (indoor only), IP54, IP65
Approvals	UL, CSA approved; Class I, Div 2 Groups A, B, C, D certified; CE marked, Demko
Weight	673 g (1.484 lbs.)
Dimensions	197mm (h) x 140mm (w) x 82mm (d) (7.76 in. x 5.53 in. x 3.21 in.)

140 mm
(5.53 in.)

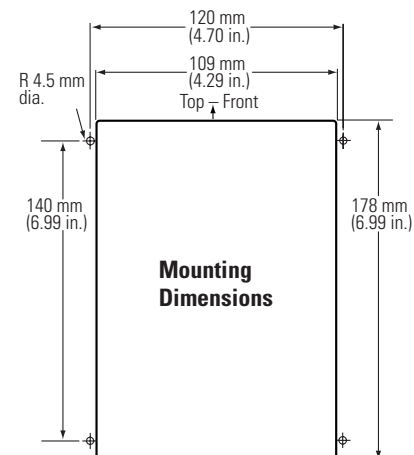


197 mm
(7.76 in.)

82 mm
(3.21 in.)



69 mm
(2.73 in.)



Ordering Information	Catalog Number
DH-485 Communications Port	2711-K3A2L1
RS-232 (DH-485 protocol) Communications Port	2711-K3A5L1
DeviceNet Communications & RS-232 Port	2711-K3A10L1
DF-1 Communications	2711-K3A17L1
PanelBuilder Configuration Software	2711-ND3

PanelView, DF-1, MicroLogix, SLC 500 and PanelBuilder are trademarks of Rockwell Automation.
DeviceNet is a trademark of the Open DeviceNet Vendor Association, Inc.
Microsoft is a trademark of Microsoft Corporation. Windows is a registered trademark of Microsoft Corporation.