

# PanelView™ 600 Touch-Only Operator Interface Terminal



## Product Profile

### Compact Package

The PanelView 600 Touch-Only 24V dc operator terminals provide graphical operator interface capabilities in a compact package that is 35% smaller than a standard PanelView 600. It fits in the same cutout as the PV550 Touch with an installed depth of only 3.12", these terminals feature a color pixel graphics display, and offer high-performance functionality where panel space is at a premium.

### High Performance

The PanelView 600 Touch-Only terminals offer users the same comprehensive features found in all PanelView operator terminals. These features include:

- HMI support for all of Rockwell Automation/Allen-Bradley Logic Controllers, including ControlLogix™
- Universal Language Support with simplified conversion for screen and object text in more than 46 different languages
- Extensive alarm capabilities that allow for logging of alarms not only on a historical basis, but also as currently active versus inactive
- Flexible communications that include Open DeviceNet™ and ControlNet™, DF-1™, Data Highway Plus™, Remote I/O, DH-485, RS-232 (DH-485 protocol) and Modbus™. The PanelView 600 Touch-Only terminals are ideal for MicroLogix™ and SLC 500™ controller applications. Terminals are also available with other programmable controller brands.
- Pixel graphic display, featuring a 5.7" passive matrix color display with touch screen capability
- ATA PC memory cards for easy transfer of applications among other PanelView terminals



### Easy Screen Configuration

Develop your PanelView 600 Touch-Only screens with PanelBuilder32™, the development software for the entire family of PanelView operator terminals, including the PanelView 550 and 550 Touch-Only, 600 and 600 Touch-Only, 900, 1000 and 1400. PanelBuilder32 allows easy conversion and reuse of applications among these display terminals. It's Microsoft® Windows® graphical interface simplifies application design and reduces development costs. Screen configuration is easy, using such tools as symbols, objects, graphics and imported bitmap images. Cut, copy, paste and tag import/export capabilities between PanelView applications and Rockwell Software Controller programming packages offer additional time-saving advantages.

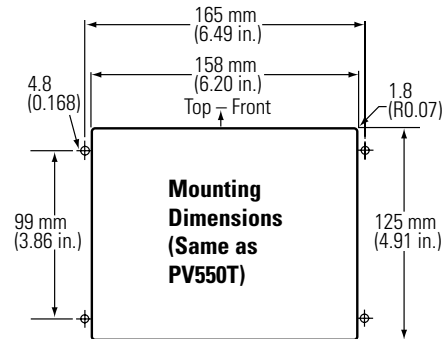
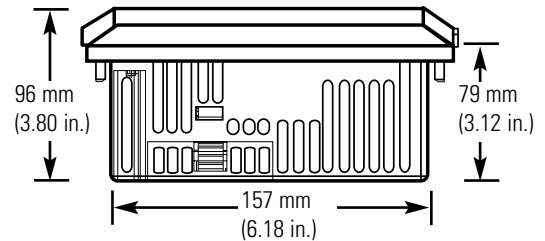
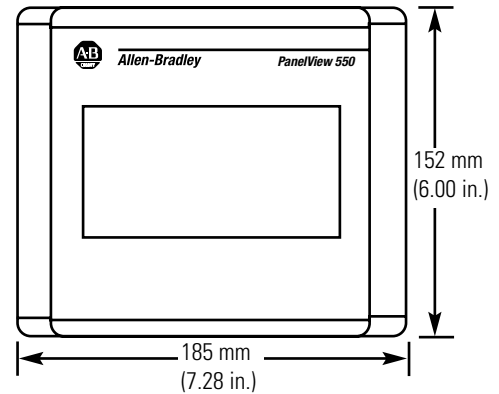
# AB Parts



Bringing Together Leading Brands in Industrial Automation

## PanelView 600 Touch-Only Specifications

<b>Display</b>	
Type	Passive Matrix LCD with Cold Cathode Fluorescent Replacable Backlight (10,000 hour half life)
Size	115x87mm (4.54x3.43 in.)
Pixels	320x240
Touch Cells	128 (16 columns x 8 rows)
Touch Cell Size	20x30 pixels
<b>Application Memory</b>	
240K Flash (application screen storage)	
<b>Real Time Clock</b>	
Battery-backed clock timestamps critical data	
<b>Electrical</b>	
Communications Port	DeviceNet, ControlNet, DF-1, Data Highway Plus, Remote I/O, DH-485, RS-232 (DH-485), Modbus
RS-232 Port	1200, 2400, 9600, 19200 baud rate
Power Requirements	18-32V dc (0.71A @ 24V dc)
Power Consumption	17 Watts maximum
<b>Environmental</b>	
Operating Temperature	0 to 50°C (32 to 122°F)
Storage Temperature	-25 to 70°C (-4 to 158°F)
Humidity Rating	5 to 95%, non-condensing @ 0 to 40°C (32 to 104°F)
Ratings	NEMA Type 12, 13, 4x (indoor only), IP54, IP65
Approvals	UL, CSA approved; Class I, Div 2 Groups A, B, C, D certified; CE marked.
Weight	1 kg (2.3 lbs.)
Dimensions	152mm (h) x 185mm (w) x 96mm (d) (6.00 in. x 7.28 in. x 3.80 in.)



Ordering Information	Catalog Number
Remote I/O Communications & RS-232 Port	2711-T6C1L1
DH-485 Communications Port	2711-T6C2L1
DH-485 Communications & RS-232 Port	2711-T6C3L1
RS-232 (DH-485 protocol) Communications Port	2711-T6C5L1
DataHighwayPlus Communications & RS-232 Port	2711-T6C8L1
RS-232 (DH-485 protocol) Communications & RS-232 Port	2711-T6C9L1
DeviceNet Communications & RS-232 Port	2711-T6C10L1
Modbus Communications & RS-232 Port	2711-T6C14L1
ControlNet Communications & RS-232 Port	2711-T6C15L1
DF-1 Communications & RS-232 Port	2711-T6C16L1
PanelBuilder Configuration Software	2711-ND3

PanelView, Data Highway Plus, DF-1, MicroLogix, SLC 500 and PanelBuilder are trademarks of Rockwell Automation. DeviceNet is a trademark of the Open DeviceNet Vendor Association, Inc. ControlNet is a trademark of ControlNet International. Microsoft is a trademark of Microsoft Corporation. Windows is a registered trademark of Microsoft Corporation. Modbus is a trademark of Modicon Incorporated.