



Mounting Clips

Catalog Number 2711-NP1

Inside...

English	3
Français.....	4
Deutsch.....	5
Español	6
Italiano.....	7

Important User Information

Solid state equipment has operational characteristics differing from those of electromechanical equipment. *Safety Guidelines for the Application, Installation and Maintenance of Solid State Controls* (Publication SGI-1.1 available from your local Rockwell Automation sales office or online at <http://www.ab.com/manuals/gi>) describes some important differences between solid state equipment and hard-wired electromechanical devices. Because of this difference, and also because of the wide variety of uses for solid state equipment, all persons responsible for applying this equipment must satisfy themselves that each intended application of this equipment is acceptable.

In no event will Rockwell Automation, Inc. be responsible or liable for indirect or consequential damages resulting from the use or application of this equipment.

The examples and diagrams in this manual are included solely for illustrative purposes. Because of the many variables and requirements associated with any particular installation, Rockwell Automation, Inc. cannot assume responsibility or liability for actual use based on the examples and diagrams.

No patent liability is assumed by Rockwell Automation, Inc. with respect to use of information, circuits, equipment, or software described in this manual.

Reproduction of the contents of this manual, in whole or in part, without written permission of Rockwell Automation, Inc. is prohibited.

Throughout this manual, when necessary we use notes to make you aware of safety considerations.

WARNING

Identifies information about practices or circumstances that can cause an explosion in a hazardous environment, which may lead to personal injury or death, property damage, or economic loss.

IMPORTANT

Identifies information that is critical for successful application and understanding of the product.

ATTENTION

Identifies information about practices or circumstances that can lead to personal injury or death, property damage, or economic loss. Attentions help you:

- identify a hazard
 - avoid a hazard
 - recognize the consequence
-

SHOCK HAZARD

Labels may be located on or inside the equipment (e.g., drive or motor) to alert people that dangerous voltage may be present.

BURN HAZARD

Labels may be located on or inside the equipment (e.g., drive or motor) to alert people that surfaces may be dangerous temperatures.



Mounting Clips

Catalog Number 2711-NP1

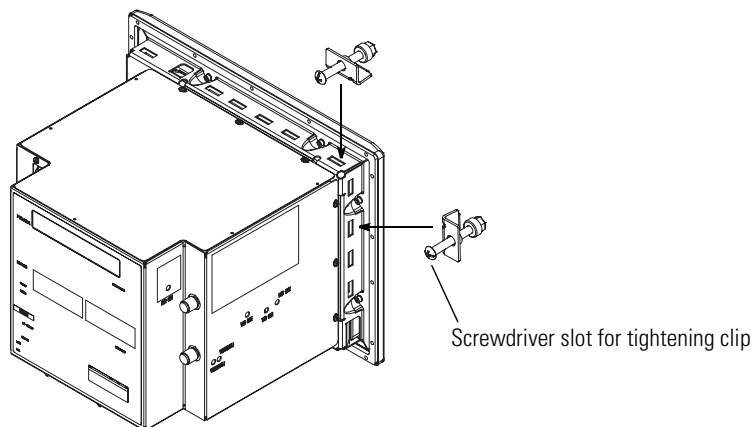
English

The package of mounting clips (Catalog No. 2711–NP1) contains 10 clips. Use these clips to mount the following:

- PanelView 1400 Operator Terminal (requires 10 clips)
- 6180 Industrial Computer (requires 10 clips)
- 14 inch Industrial Monitors (requires 6 clips)

Mounting Clip Installation

1. Refer to the installation instructions provided with the operator terminal, monitor, or industrial computer.
2. Clips are positioned in the chassis mounting slots. Tighten the mounting clip using the screwdriver slot on the clip. Refer to the device's installation instructions for specific torque values and tightening sequences.



Aquí se muestra el PanelView 1400, otros dispositivos son similares

Attaches de fixation

Catalog Number 2711-NP1

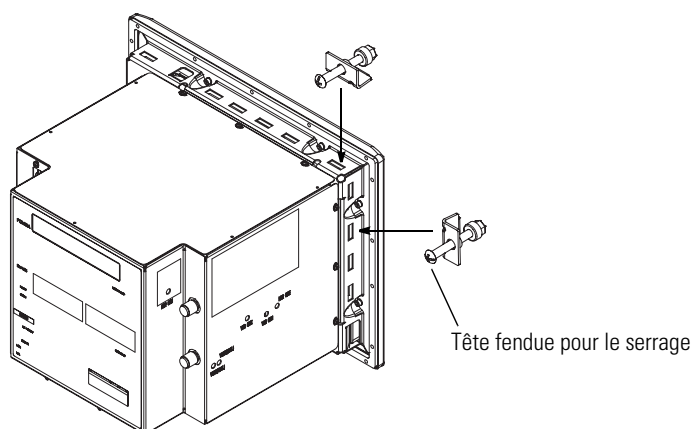
Français

Ce paquet d'attaches de fixation (référence 2711-NP1) contient dix attaches. Utiliser ces attaches pour le montage d'un :

- ordinateur industriel 6180 (10 attaches)
- ordinateur industriel 6180 (10 attaches)
- moniteur industriel avec écran de 14 pouces (6 attaches)

Installation des attaches de fixation

1. Se reporter à la notice d'installation fournie avec le terminal opérateur, le moniteur ou l'ordinateur industriel.
2. Les attaches sont placées dans les encoches du châssis. Elles sont munies d'une tête fendue pour le serrage. Se reporter aux notices d'installation des appareils pour les valeurs spécifiques de couple et d'ordre de serrage.



Ici, PanelView 1400. Similaire pour les autres appareils.

Montageklammern

Catalog Number 2711-NP1

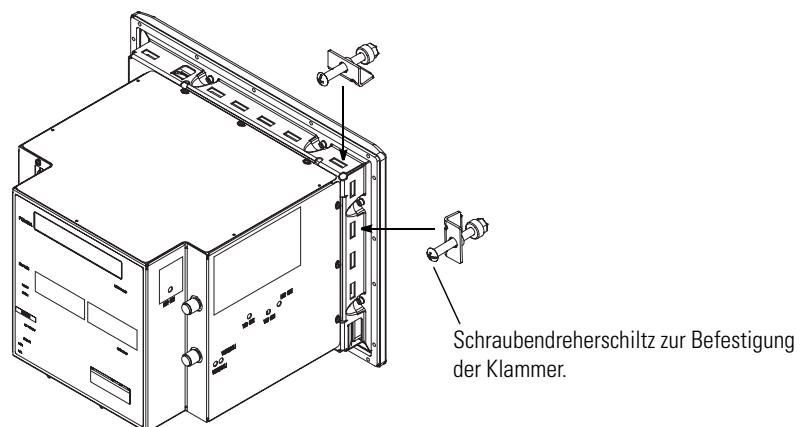
Deutsch

Dieses Paket mit Montageklammern (Katalognr. 2711-NP1) enthält 10 Klammern. Diese Klammern werden für die Montage der folgenden Geräte verwendet:

- PanelView 1400 Bedienerterminal (benötigt 10 Klammern)
- 6180 Industrie-Computer (benötigt 10 Klammern)
- 14 Zoll Industrie-Monitor (benötigt 6 Klammern)

Installation der Montageklammern

1. Beziehen Sie sich auf die Installationsanweisungen, die Sie mit dem Bedienerterminal, Monitor oder Industrie-Computer bekommen.
2. Die Klammern werden in den Chassismontageschlitzen positioniert. Befestigen Sie die Montageklammern mit Verwendung des Schraubendreher-schlitzes auf der Klammer. Beziehen Sie sich auf die Installations-anweisungen des Gerätes für ein spezifisches Drehmoment und die Befestigungsreihenfolge.



PanelView 1400 gezeigt (andere Geräte sind ähnlich)



Clips de montaje

Catalog Number 2711-NP1

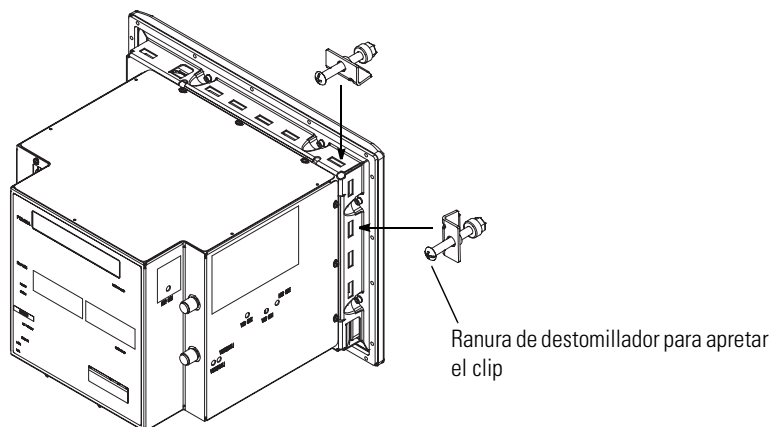
Español

El paquete de clips de montaje (No. de catálogo 2711-NP1) contiene 10 clips. Usar estos clips para montar lo siguiente

- Terminal de operador PanelView 1400 (requiere 10 clips)
- Computadora industrial 6180 (requiere 10 clips)
- Monitor industrial de 14 pulgadas (requiere 6 clips)

Instalando los clips de montaje

1. Refiérase a las instrucciones de instalación proporcionadas con el terminal de operador, monitor o computadora industrial.
2. Los clips se posicionan en las ranuras de montaje del chasis. Apretar los clips de montaje usando la ranura de destornillador del clip. Refiérase a las instrucciones de instalación para valores específicos de torsión y secuencias de apretar.



PanelView 1400 shown, other devices are similar.



Ganci di montaggio

Catalog Number 2711-NP1

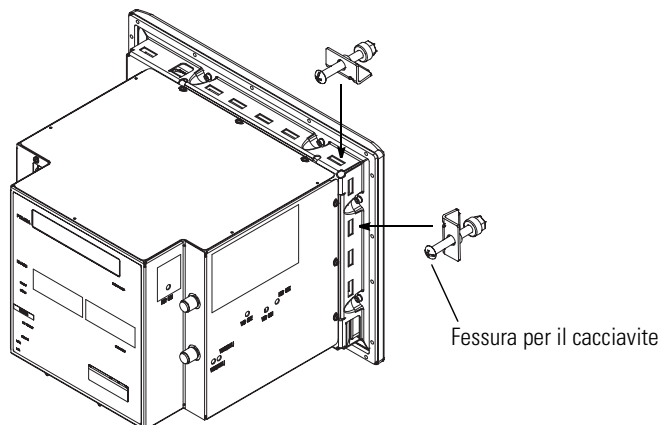
Italiano

La confezione con i ganci di montaggio (N. Catalogo 2711-NP1) contiene 10 ganci. Usare questi ganci per montare i seguenti terminali:

- Terminale Operatore PanelView 1400 (richiede 10 ganci)
- Computer industriale 6180 (richiede 10 ganci)
- Monitor industriali da 14 pollici (richiedono 6 ganci)

Installazione dei ganci di montaggio

1. Consultare la guida per l'installazione fornita con il terminale operatore, il monitor, o il computer industriale.
2. I ganci vengono posizionati nelle fessure di montaggio del telaio. Stringere i ganci di montaggio servendosi dell'apposita fessura per il cacciavite. Consultare la guida per l'installazione del dispositivo, per avere le specifiche sequenze e i valori di serraggio.



PanelView 1400, altri dispositivi sono simili

Rockwell Automation Support

Rockwell Automation provides technical information on the web to assist you in using its products. At <http://support.rockwellautomation.com>, you can find technical manuals, a knowledge base of FAQs, technical and application notes, sample code and links to software service packs, and a MySupport feature that you can customize to make the best use of these tools.

For an additional level of technical phone support for installation, configuration and troubleshooting, we offer TechConnect Support programs. For more information, contact your local distributor or Rockwell Automation representative, or visit <http://support.rockwellautomation.com>.

Installation Assistance

If you experience a problem with a hardware module within the first 24 hours of installation, please review the information that's contained in this manual. You can also contact a special Customer Support number for initial help in getting your module up and running:

United States	1.440.646.3223 Monday – Friday, 8am – 5pm EST
Outside United States	Please contact your local Rockwell Automation representative for any technical support issues.

New Product Satisfaction Return

Rockwell tests all of its products to ensure that they are fully operational when shipped from the manufacturing facility. However, if your product is not functioning and needs to be returned:

United States	Contact your distributor. You must provide a Customer Support case number (see phone number above to obtain one) to your distributor in order to complete the return process.
Outside United States	Please contact your local Rockwell Automation representative for return procedure.

www.rockwellautomation.com

Corporate Headquarters

Rockwell Automation, 777 East Wisconsin Avenue, Suite 1400, Milwaukee, WI, 53202-5302 USA, Tel: (1) 414.212.5200, Fax: (1) 414.212.5201

Headquarters for Allen-Bradley Products, Rockwell Software Products and Global Manufacturing Solutions

Americas: Rockwell Automation, 1201 South Second Street, Milwaukee, WI 53204-2496 USA, Tel: (1) 414.382.2000, Fax: (1) 414.382.4444

Europe/Middle East/Africa: Rockwell Automation SA/NV, Vorstlaan/Boulevard du Souverain 36, 1170 Brussels, Belgium, Tel: (32) 2 663 0600, Fax: (32) 2 663 0640

Asia Pacific: Rockwell Automation, Level 14, Core F, Cyberport 3, 100 Cyberport Road, Hong Kong, Tel: (852) 2887 4788, Fax: (852) 2508 1846

Headquarters for Dodge and Reliance Electric Products

Americas: Rockwell Automation, 6040 Ponders Court, Greenville, SC 29615-4617 USA, Tel: (1) 864.297.4800, Fax: (1) 864.281.2433

Europe/Middle East/Africa: Rockwell Automation, Herman-Heinrich-Gossen-Strasse 3, 50858 Köln, Germany, Tel: 49 (0) 2234 379410, Fax: 49 (0) 2234 3794164

Asia Pacific: Rockwell Automation, 55 Newton Road, #11-01/02 Revenue House, Singapore 307987, Tel: (65) 6356 9077, Fax: (65) 6356 9011

Publication 2711-2.12 - March 1997

Supersedes Publication 2711-2.12 - October 1995

PN 40061-212-01(D)

Copyright © 1997 Rockwell Automation, Inc. All rights reserved. Printed in the U.S.A.