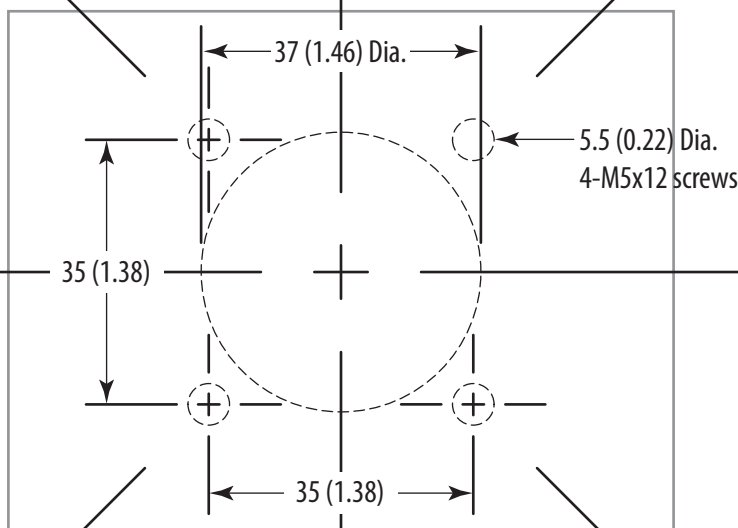




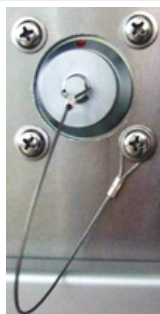
2711T MobileView Junction Box Cutout Template

Paper stock: 160 gm² (43 lb.) bond

This template is printed actual size (scale = 1:1).
Measurements are in mm (in.)



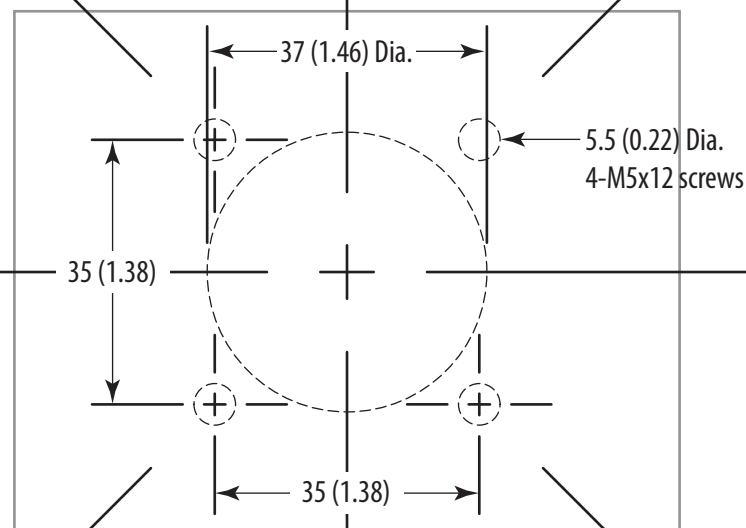
IMPORTANT: A cap is provided to cover the junction box opening when the cable is not connected.
Use one of the two bottom mounting screws to attach the tethered cable of the cap.



2711T MobileView Junction Box Cutout Template

Paper stock: 160 gm² (43 lb.) bond

This template is printed actual size (scale = 1:1).
Measurements are in mm (in.)



IMPORTANT: A cap is provided to cover the junction box opening when the cable is not connected.
Use one of the two bottom mounting screws to attach the tethered cable of the cap.

