



AdaptaScan™ Wiring Bases Catalog No. 2755-NB40, -NB41

Description

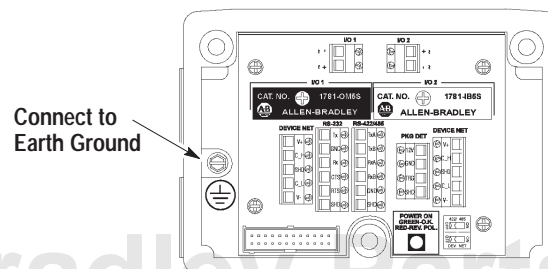
The wiring base contains all of the wiring connections for the AdaptaScan Reader along with sockets for two I/O modules. Two versions of the AdapataScan wiring base are available, a metric (Catalog No. 2755-NB41) and U.S. version (Catalog No. 2755-NB40). Both versions of the wiring base are identical except for the conduit openings and bottom mount thread sizes.

Note: The three screws provided with the Catalog No. 2755-NB40 or -NB41 wiring base are used with the mounting bracket kit (Catalog No. 2755-NM42).

General Mounting Guidelines

Before mounting the wiring base, determine the proper orientation and position as described in the AdaptaScan Reader user manual.

- Leave adequate clearances for wiring.
- Cover unused openings with conduit plugs (3 plugs provided with wiring base). The wiring base has four conduit openings. Use Conduit fittings with rubber grommets on cables that enter the wiring base. Two different sized grommets (for conduit fittings) are provided with each Reader.
- Route wires carefully to reduce or minimize electrical noise. When communication and power wiring must cross, make their intersection perpendicular.
- Use proper grounding to limit the effects of noise due to Electromagnetic Interference (EMI). To avoid problems caused by EMI, all cables must be shielded and grounded at one end. Grounding is also an important safety measure in electrical installations.



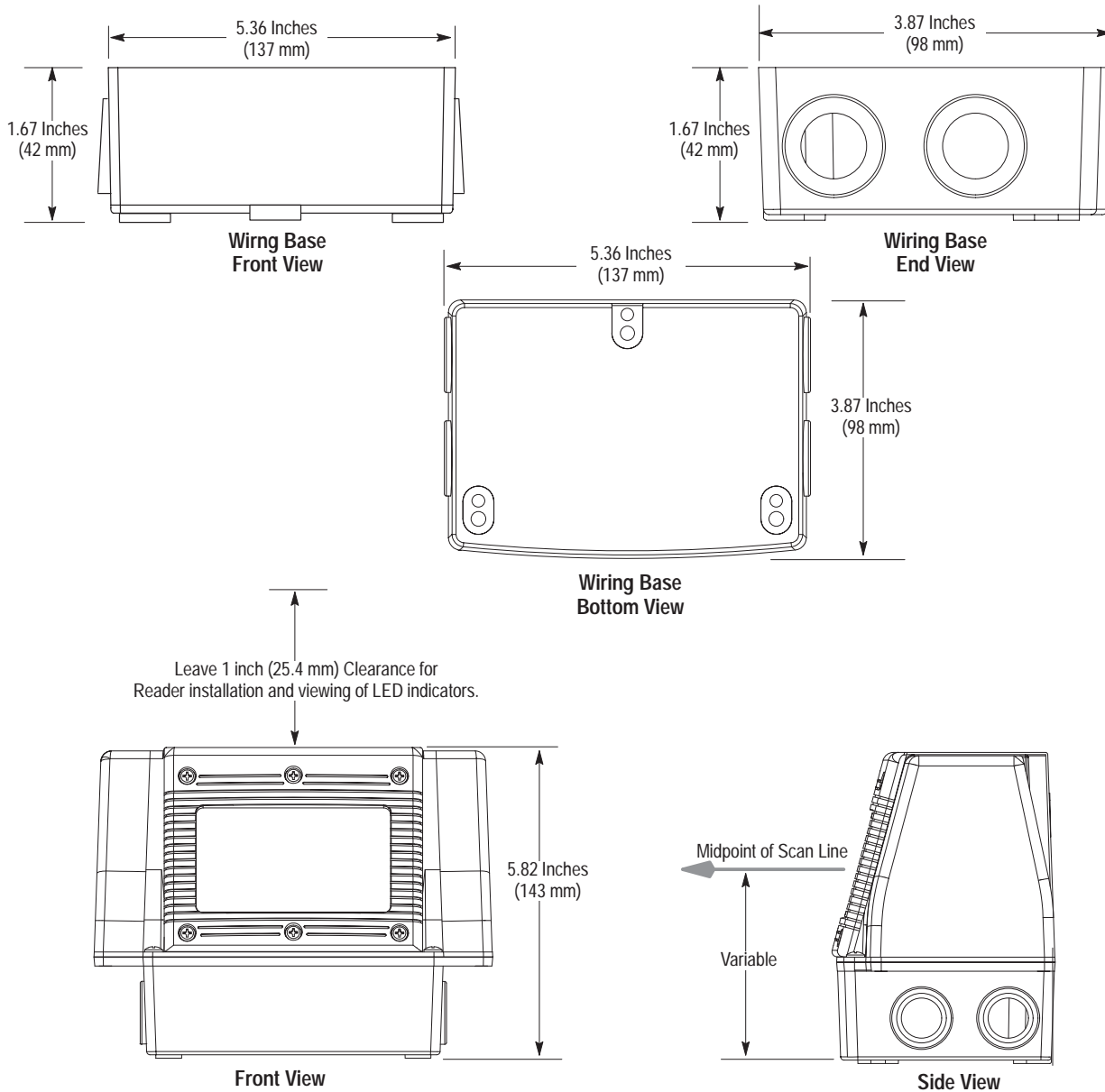
Allen-Bradley Parts
Wiring Base

Instructions

AdaptaScan Wiring Bases
Catalog Number 2755-NB40, -NB41

Mounting Dimensions and Clearances

The following shows the dimensions clearances for the wiring base and the Reader/wiring base assembly.



Mounting the Wiring Base

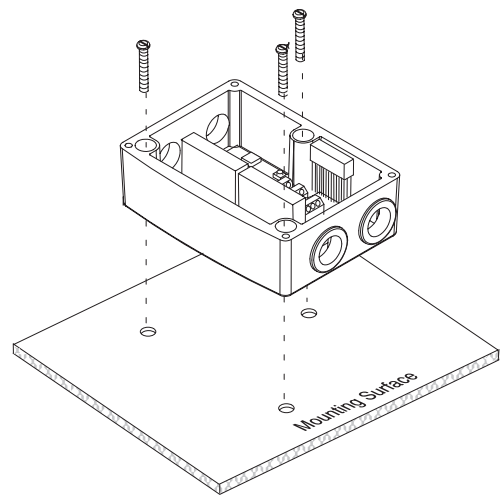
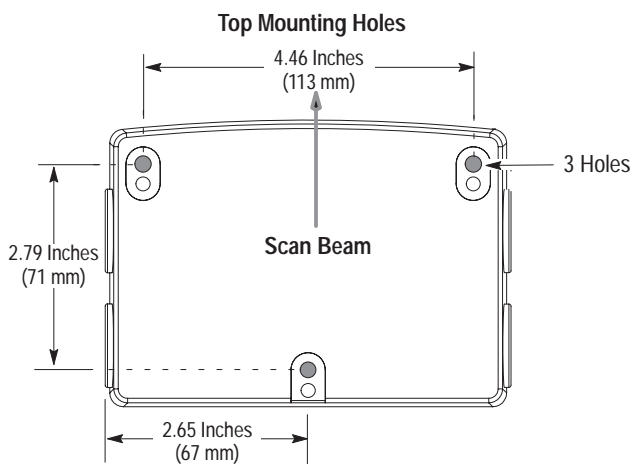
There are 2 options for mounting the wiring base (Catalog No. 2755-NB40 or -NB41):

- **Top Mounting**
Mount the base using mounting screws through the top mounting holes.
- **Bottom Mounting**
Mount the base using screws through the mounting surface into threaded holes on the bottom of the wiring base.

Top Mounting

The wiring base mounts from the top to any flat surface with three #10 or M5 mounting screws. The screw heads must be less than 3/8 inch in diameter allowing them to fit inside the mounting hole. The length of the mounting screws must be 1/2 inch (12.5 mm) plus the depth the screw penetrates the mounting surface.

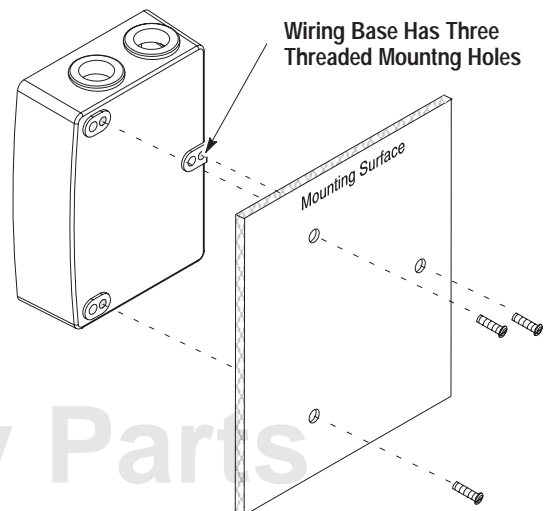
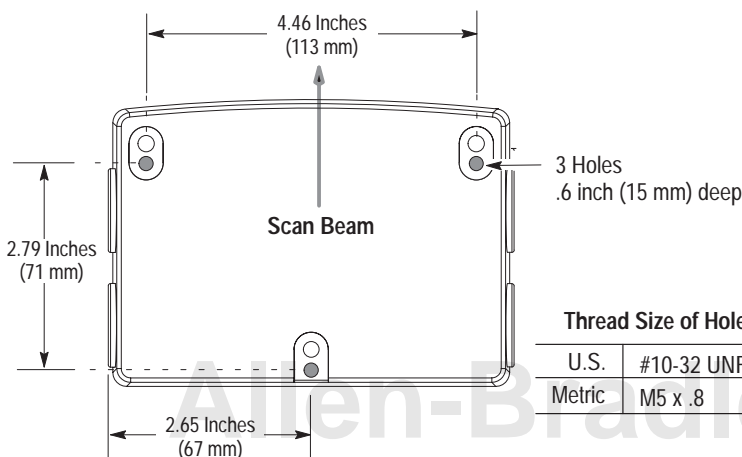
A full size mounting template (No. 40062-310-01) is provided with the wiring base. Use the following diagram for reference.



Bottom Mounting

The wiring base mounts from the bottom to any flat surface with three mounting screws. The holes on the U.S. version have #10-32 UNF-2B threads. The holes on the metric version have M5 x .8 threads. The length of the screws must not be greater than 1/2 inch (12.5 mm) plus the thickness of the mounting surface.

A full size mounting template (No. 40062-310-01) is provided with the wiring base. Use the following diagram for reference.



Instructions

AdaptaScan Wiring Bases
Catalog Number 2755-NB40, -NB41

Hole Plugs

Three hole plugs are supplied with the wiring base. Use these plugs on unused conduit openings to maintain the NEMA Type 4 rating.

- **U.S. Wiring Base (Catalog No. 2755-NB40)**

The conduit opening for the U.S. wiring base uses an N.P.S.C. threaded plug. Use teflon tape or other thread sealant when inserting the hole plug in the conduit opening to maintain a NEMA Type 4 seal. Tighten hole plug with a 3/8" hex wrench.

- **Metric Wiring Base (Catalog No. 2755-NB41)**

The conduit opening for the metric version requires an O-ring with the hole plug. Place the O-ring on the hole plug, then insert the hole plug in the conduit opening and tighten with a flat blade screwdriver.

Wiring Base Dust Cover

To prevent debris from entering the wiring base when a Reader is not installed, slip the wiring base dust cover over the base. The wiring base dust cover is held in place by the stretch fit of the cover itself.



ATTENTION: The wiring base dust cover is not intended for permanent installation. The wiring base dust cover temporarily protects the wiring base until a Reader is installed.



Allen-Bradley, a Rockwell Automation Business, has been helping its customers improve productivity and quality for more than 90 years. We design, manufacture and support a broad range of automation products worldwide. They include logic processors, power and motion control devices, operator interfaces, sensors and a variety of software. Rockwell is one of the world's leading technology companies.



Worldwide representation.

Argentina • Australia • Austria • Bahrain • Belgium • Brazil • Bulgaria • Canada • Chile • China, PRC • Colombia • Costa Rica • Croatia • Cyprus • Czech Republic • Denmark • Ecuador • Egypt • El Salvador • Finland • France • Germany • Greece • Guatemala • Honduras • Hong Kong • Hungary • Iceland • India • Indonesia • Ireland • Israel • Italy • Jamaica • Japan • Jordan • Korea • Kuwait • Lebanon • Malaysia • Mexico • Netherlands • New Zealand • Norway • Pakistan • Peru • Philippines • Poland • Portugal • Puerto Rico • Qatar • Romania • Russia-CIS • Saudi Arabia • Singapore • Slovakia • Slovenia • South Africa, Republic • Spain • Sweden • Switzerland • Taiwan • Thailand • Turkey • United Arab Emirates • United Kingdom • United States • Uruguay • Venezuela • Yugoslavia

Allen-Bradley Headquarters, 1201 South Second Street, Milwaukee, WI 53204 USA, Tel: (1) 414 382-2000 Fax: (1) 414 382-4444