



Instructions

AdaptaScan Mounting Bracket
Catalog Number 2755-NM42

AdaptaScan™ Mounting Bracket Kit Catalog No. 2755-NM42

Description

The optional Mounting Bracket Kit (Catalog No. 2755-NM42) mounts to either the metric wiring base (Catalog No. 2755-NB41) or the U.S. wiring base (Catalog No. 2755-NB40).

The mounting bracket kit contains:

- Adjustable mounting bracket
- Mounting plate
- 2 Hex socket cap screws
- Hex bolt
- Safety wire

Important Notes

The mounting bracket kit is suitable for a variety of applications. However, the mounting bracket is not designed or tested to the same shock and vibration ratings specified for the AdpataScan Bar Code Reader.

The mounting bracket allows for rotation and tilting of the Bar Code Reader, but the height is not adjustable.



ATTENTION: Make sure the safety wire is installed when the bracket is mounted in an inverted position. If the bracket is mounted inverted and the locking knob is loosened, the Reader could release from the mounting bracket and cause personal injury or damage to the Reader.



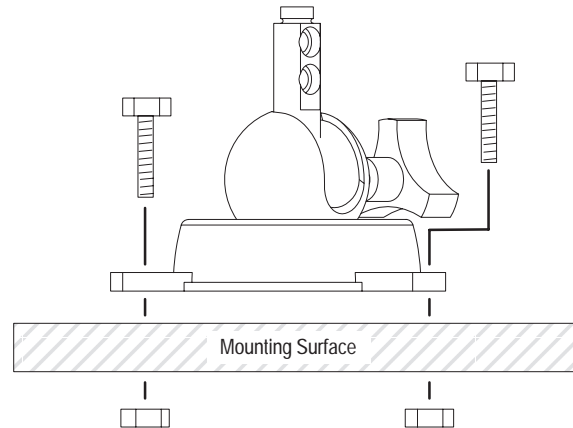
ATTENTION: Use of the mounting bracket is recommended whenever you require flexibility to align the scan beam. In environments where the Reader is subjected to extreme shock or vibration, we recommend that you mount the Reader directly to the mounting surface (do not use mounting bracket).

Instructions

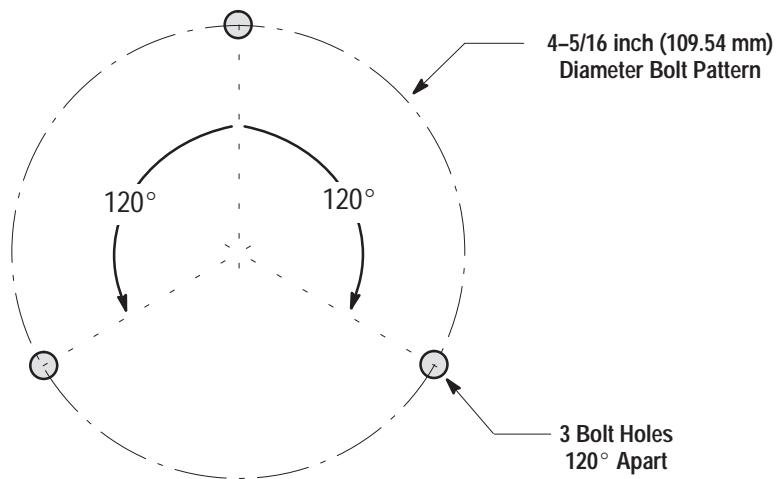
AdaptaScan Mounting Bracket
Catalog Number 2755-NM42

Installing the Mounting Bracket

The mounting bracket is attached to a mounting surface using three screws (1/4 inch or M6).



The mounting holes for the bracket consist of 3 holes spaced 120° apart on a $4 \frac{5}{16}$ inch (109.54 mm) diameter pattern.

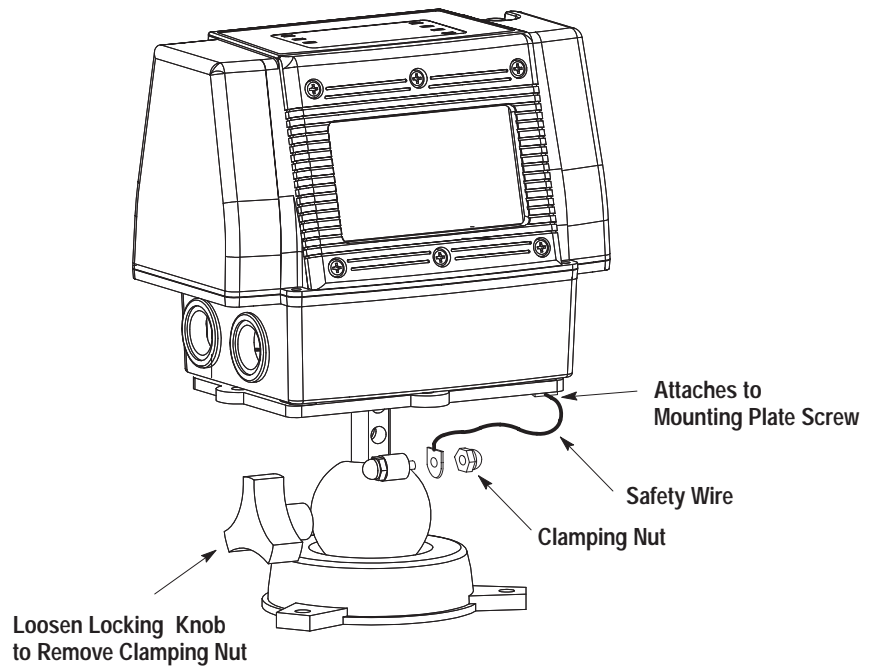


Instructions

AdaptaScan Mounting Bracket
Catalog No. 2755-NM42

Installing the Safety Wire

Install the safety wire whenever the mounting bracket is installed in an inverted position. The safety wire prevents the Reader from dropping to the floor when the bracket locking knob is loosened.



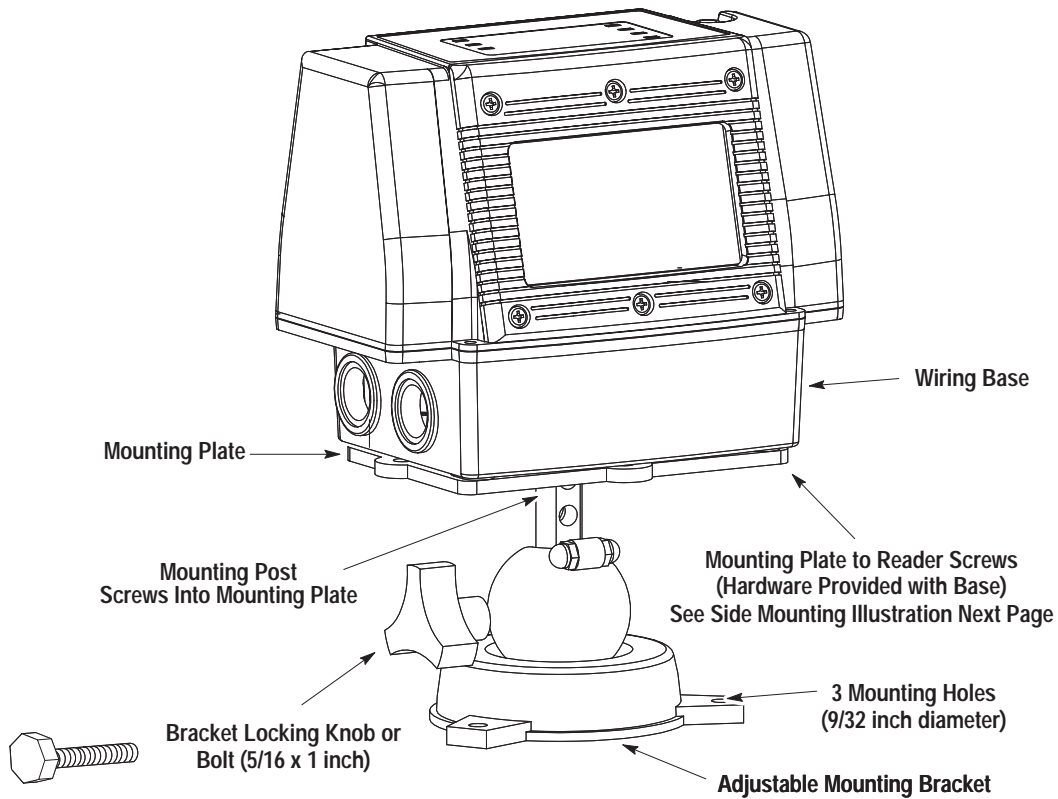
Place one end of the safety wire under a mounting bracket clamping nut. With the bracket locking knob loosened, the clamping nut can then be removed. The other end of the safety wire is attached to the Reader using one of the screws that secure the mounting plate to Reader wiring base.

Instructions

AdaptaScan Mounting Bracket
Catalog Number 2755-NM42

Top Post Mounting

The mounting plate is attached to the bottom of the wiring base with three screws (provided with wiring base). The mounting bracket post is threaded into the hole at the center of the mounting plate. Lock the bracket in position by tightening the locking knob. For additional security, you can remove the locking knob and replace it with the hex bolt provided. The two hex socket screws are not used in this configuration.

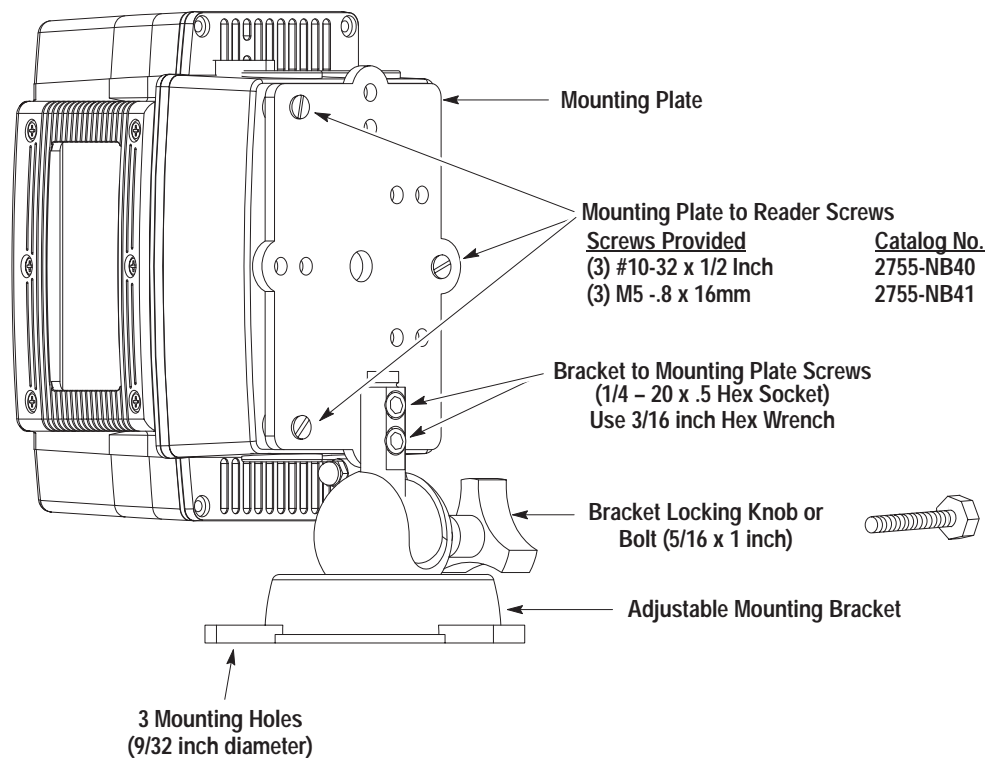


Instructions

AdaptaScan Mounting Bracket
Catalog No. 2755-NM42

Side Post Mounting

The mounting plate attaches to the bottom of the wiring base with three screws that are provided with the base. The mounting bracket post (flat side) attaches to the mounting plate with two hex socket screws. 5 sets of 2 holes allow the bracket post to attach to the front, back or either side of the mounting plate. Lock the bracket in position by tightening the locking knob. For additional security, you can remove the locking knob and replace it with the hex bolt provided.



AB Parts

Instructions

AdaptaScan Mounting Bracket
Catalog Number 2755-NM42



Allen-Bradley, a Rockwell Automation Business, has been helping its customers improve productivity and quality for more than 90 years. We design, manufacture and support a broad range of automation products worldwide. They include logic processors, power and motion control devices, operator interfaces, sensors and a variety of software. Rockwell is one of the world's leading technology companies.



Worldwide representation.

Argentina • Australia • Austria • Bahrain • Belgium • Brazil • Bulgaria • Canada • Chile • China, PRC • Colombia • Costa Rica • Croatia • Cyprus • Czech Republic • Denmark • Ecuador • Egypt • El Salvador • Finland • France • Germany • Greece • Guatemala • Honduras • Hong Kong • Hungary • Iceland • India • Indonesia • Ireland • Israel • Italy • Jamaica • Japan • Jordan • Korea • Kuwait • Lebanon • Malaysia • Mexico • Netherlands • New Zealand • Norway • Pakistan • Peru • Philippines • Poland • Portugal • Puerto Rico • Qatar • Romania • Russia-CIS • Saudi Arabia • Singapore • Slovakia • Slovenia • South Africa, Republic • Spain • Sweden • Switzerland • Taiwan • Thailand • Turkey • United Arab Emirates • United Kingdom • United States • Uruguay • Venezuela • Yugoslavia

Allen-Bradley Headquarters, 1201 South Second Street, Milwaukee, WI 53204 USA, Tel: (1) 414 382-2000 Fax: (1) 414 382-4444