

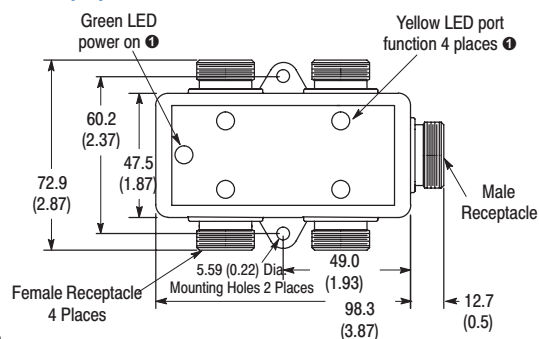


4-Port Mini Distribution Box

Specifications

Body	Yellow PET
Connector Input	PVC
Receptacle Shell	Anodized aluminum with clear sealant
Contacts	Gold-plated palladium/nickel
Temperature	-30°C to +105°C (-22°F to +221°F)

Dimensions—mm (in)

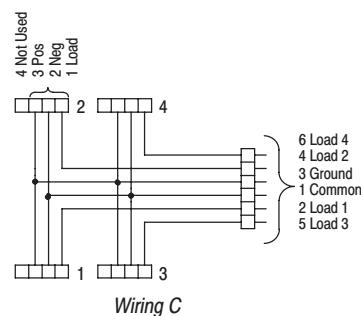
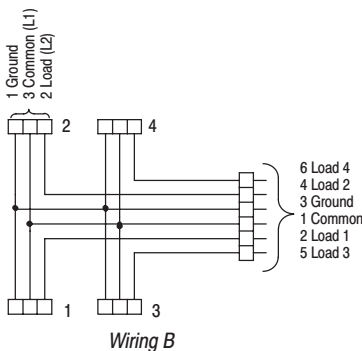
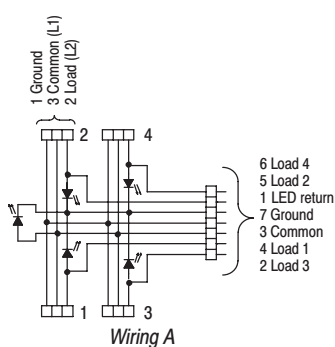


① LED models only.

Features

- UL recognized and CSA certified
- Highly visible yellow PET body offers good oil and chemical resistance
- 4 parallel wired 3- or 4-pin mini connectors

Wiring Diagrams



Product Selection

Face View of Female (4)	Illuminated	Rating	Face View of Male (1)	Wiring	Catalog Number
<p>For mating male cordsets see page 3-12; for patch-cords see page 3-28.</p>	LED	120V 7A	<p>For mating cordset see page 3-25.</p>	A	898N-L34PS-N7
<p>For mating male cordsets see page 3-12; for patch-cords see page 3-28.</p>	No LED	600V 7A	<p>For mating cordset see page 3-8.</p>	B	898N-34PS-N6
				C	898N-44PS-N6
Aluminum sealing caps for unused ports					889A-NCAP

Distribution Boxes, 6-Port Mini Style

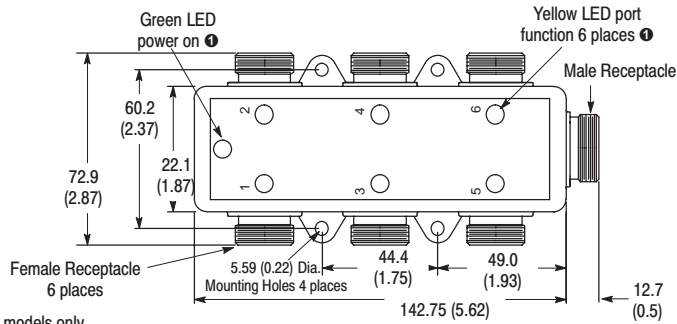


6-Port Mini Distribution Box

Specifications

Body	Yellow PET
Connector Input	PVC
Receptacle Shell	Anodized aluminum with clear sealant
Contacts	Gold-plated palladium/nickel
Temperature	-30°C to +105°C (-22°F to +221°F)

Dimensions—mm (in)

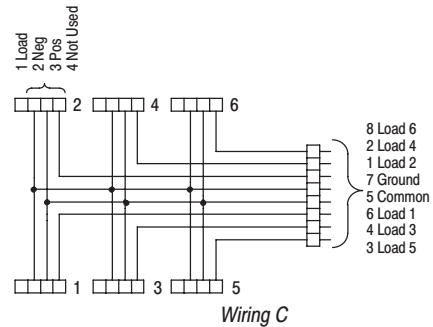
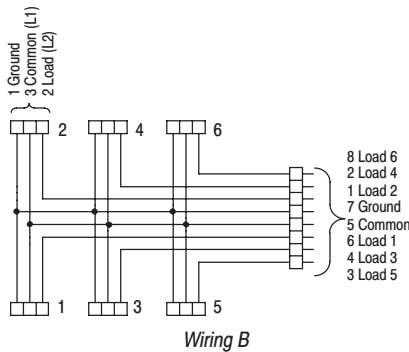
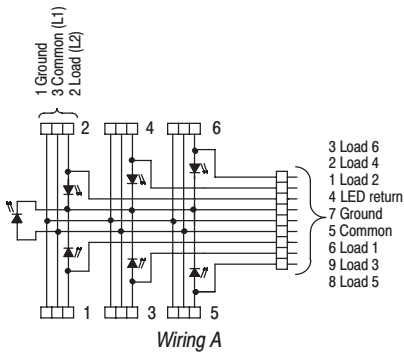


LED models only.

Features

- UL recognized and CSA certified
- Highly visible yellow PET body offers good oil and chemical resistance
- 6 parallel wired 3- or 4-pin mini connectors

Wiring Diagrams



Product Selection

Face View of Female (6)	Illuminated	Rating	Face View of Male (1)	Wiring	Catalog Number
<p>For mating male cordsets see page 3-12; for patch-cords see page 3-28.</p>	LED	120V 7A	<p>For mating cordset see page 3-26.</p>	A	898N-L36PS-N9
<p>For mating male cordsets see page 3-12; for patch-cords see page 3-24.</p>	No LED	600V 7A	<p>For mating cordset see page 3-25.</p>	B C	898N-36PS-N8 898N-46PS-N8
Aluminum sealing caps for unused ports					889A-NCAP

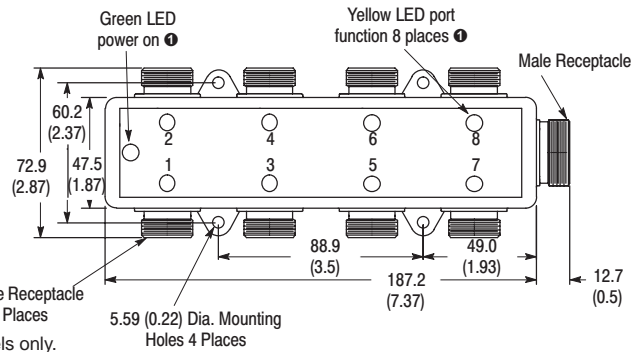


8-Port Mini Distribution Box

Specifications

Body	Yellow PET
Connector Input	PVC
Receptacle Shell	Anodized aluminum with clear sealant
Contacts	Gold-plated palladium/nickel
Temperature	-30°C to +105°C (-22°F to +221°F)

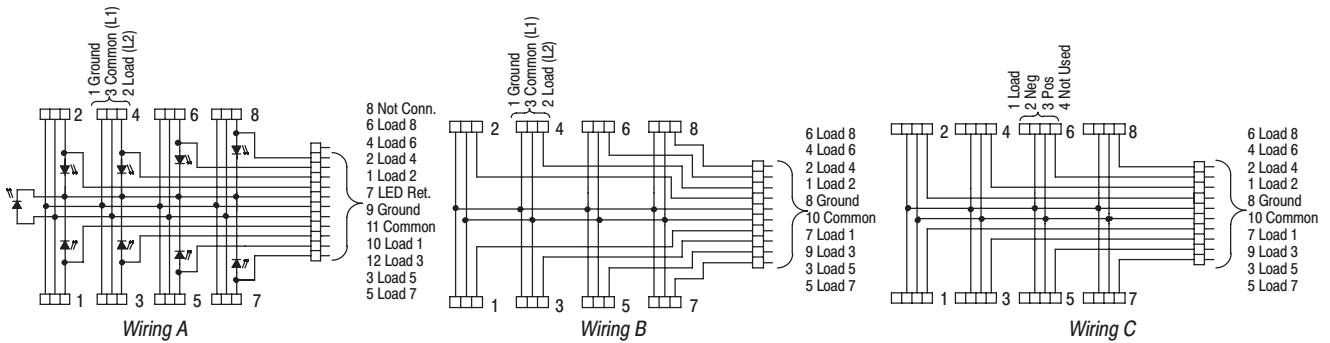
Dimensions—mm (in)



Features

- UL recognized and CSA certified
- Highly visible yellow PET body offers good oil and chemical resistance
- Eight parallel wired 3- or 4-pin mini connectors

Wiring Diagrams



Product Selection

Face View of Female (8)	Illuminated	Rating	Face View of Male (1)	Wiring	Catalog Number
 For mating male cordsets see page 3-12; for patch-cords see page 3-28.	LED	120V 7A	 For mating cordset see page 3-26.	A	898N-L38PS-N12
 For mating male cordsets see page 3-12; for patch-cords see page 3-28.	No LED	600V 7A	 For mating cordset see page 3-26.	B	898N-38PS-N10
				C	898N-48PS-N10
Aluminum sealing caps for unused ports					889A-NCAP