



DC Micro 4-Port Distribution Box

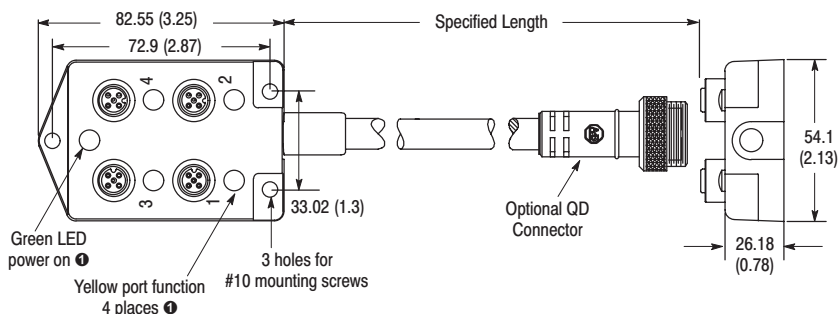
Specifications

Body	Yellow PET
Connector Insert	PUR
Receptacle Shell	Anodized aluminum with clear sealant
Contacts	Gold-plated palladium/nickel
Cable	Oil-resistant yellow PVC jacket, 18AWG conductors, 300V
Cable Approvals	UL recognized and CSA certified
Cable O.D.	9mm (0.36in)
Temperature	-20°C to +105°C (-4°F to +221°F)

Features

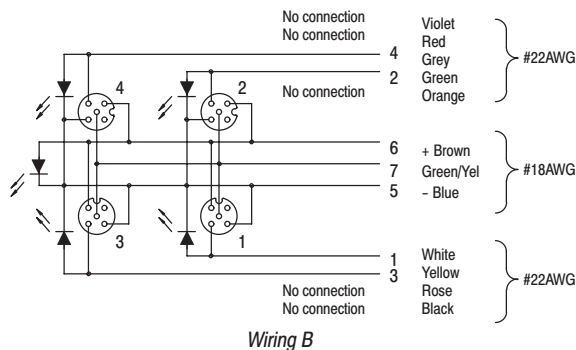
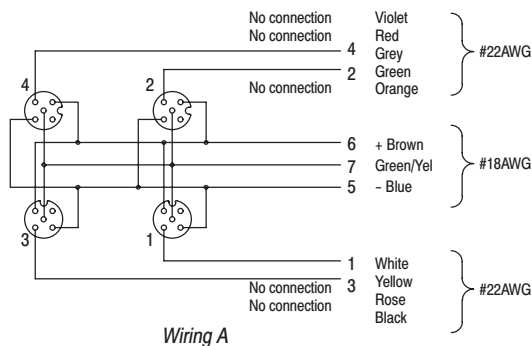
- UL recognized and CSA certified
- Highly visible yellow PET body offers good oil and chemical resistance
- Four DC micro connectors
- Cable or QD versions
- LED version for use with PNP (sourcing) field devices

Dimensions—mm (in)



① LED models only.

Wiring Diagrams



Product Selection

Face View of Female (4)	Illuminated	Rating	Face View of Male (1)	Cable Length	Wiring	Catalog Number	
<p>For mating male cordsets and patchcords see page 3–24.</p>	No LED	10–30V DC 3A	<p>For mating cordsets see page 3–24.</p>	0.31mm (8in)	A	898D-54PT-N7	
	LEDs (PNP)				B	898D-P54PT-N7	
	No LED		Cable	5m (16.4ft)	A	898D-54PT-A5	
	LEDs (PNP)				B	898D-P54PT-A5	
	Aluminum sealing cap for unused ports						1485A-C3

Distribution Boxes, 6-Port DC Micro Style



DC Micro 6-Port Distribution Box

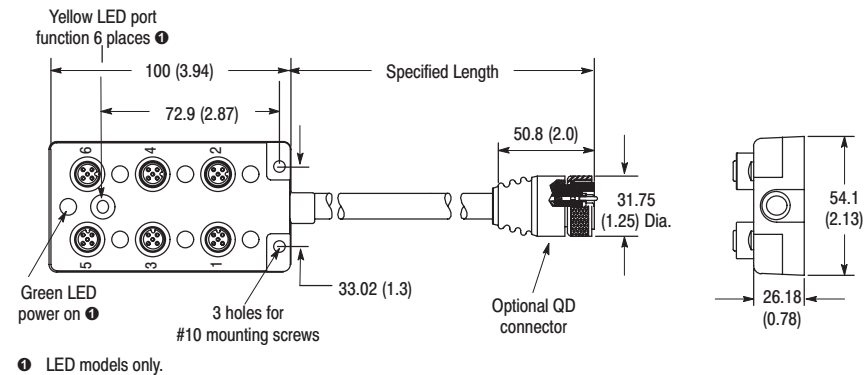
Specifications

Body	Yellow PET
Connector Insert	PUR
Receptacle Shell	Anodized aluminum with clear sealant
Contacts	Gold-plated palladium/nickel
Cable	Oil-resistant yellow PVC jacket, 18AWG conductors, 300V, UL recognized and CSA certified
Cable O.D.	9mm (0.36in)
Temperature	-20°C to +105°C (-4°F to +221°F)

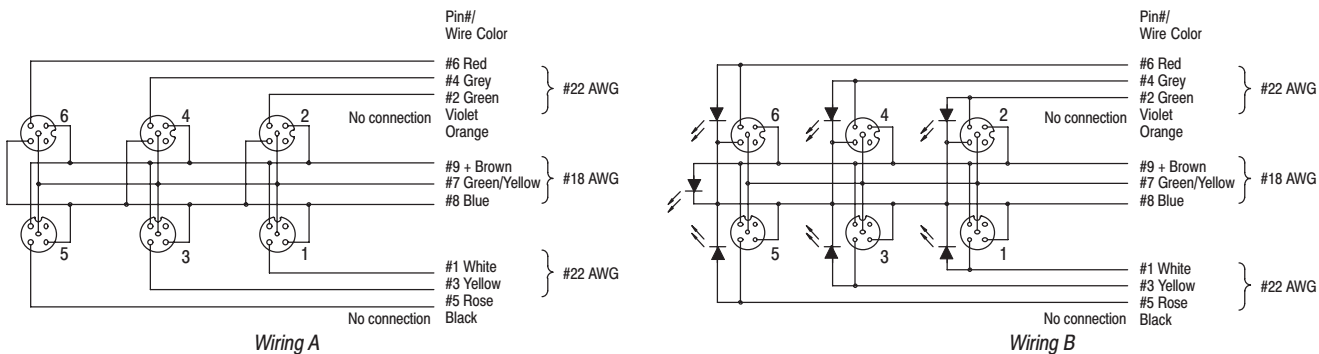
Features

- UL recognized and CSA certified
- Highly visible yellow PET body offers good oil and chemical resistance
- Six DC micro connectors
- Cable or QD versions
- LED version for use with PNP (sourcing) field devices

Dimensions—mm (in)



Wiring Diagrams



Product Selection

Face View of Female (6)	Illuminated	Rating	Face View of Male (1)	Cable Length	Wiring	Catalog Number		
<p>For mating male cordsets see page 3-45; for patch-cords see pages 3-46 through 3-51.</p>	No LED	10-30V DC 3A	<p>For mating cordsets see page 3-26.</p>	0.2m (8in)	A	898D-56PT-N9		
	LEDs (PNP)				B	898D-P56PT-N9		
	No LED		Cable	5m (16.4ft)	A	898D-56PT-A5		
	LEDs (PNP)			10m (32.8ft)	A	898D-56PT-A10		
				5m (16.4ft)	B	898D-P56PT-A5		
	10m (32.8ft)			B	898D-P56PT-A10			
	Aluminum sealing cap for unused ports						1485A-C3	



DC Micro 8-Port Distribution Box

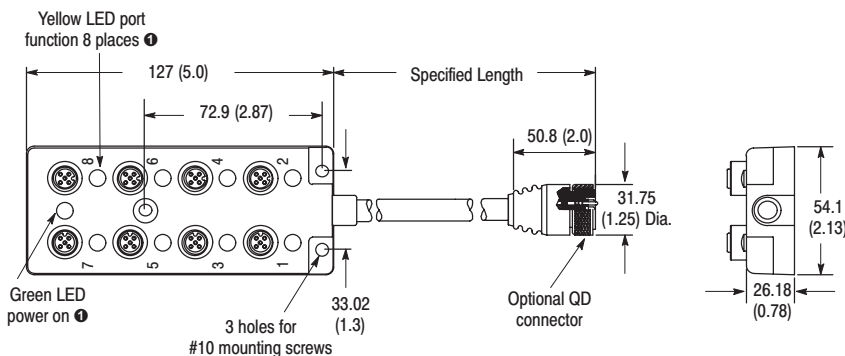
Specifications

Body	Yellow PET
Connector Insert	PUR
Receptacle Shell	Anodized aluminum with clear sealant
Contacts	Gold-plated palladium/nickel
Cable	Oil-resistant yellow PVC jacket, 18AWG conductors, 300V, UL recognized and CSA certified
Cable O.D.	9mm (0.36in)
Temperature	-20°C to +105°C (-4°F to +221°F)

Features

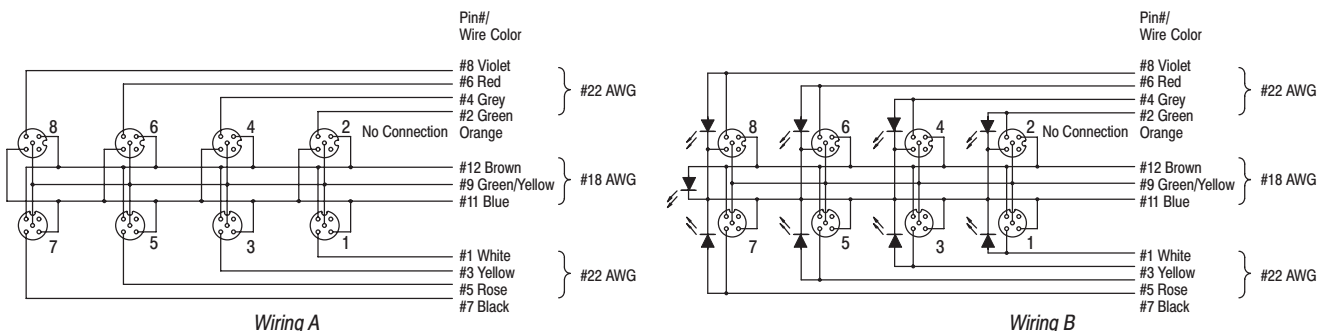
- UL recognized and CSA certified
- Highly visible yellow PET body offers good oil and chemical resistance
- Eight DC micro connectors
- Cable or QD versions
- LED version for use with PNP (sourcing) field devices

Dimensions—mm (in)



LED models only.

Wiring Diagrams



Product Selection

Face View of Female (8)	Illuminated	Rating	Face View of Male (1)	Cable Length	Wiring	Catalog Number
<p>For mating male cordsets see page 3-45; for patch-cords see pages 3-46 through 3-51.</p>	No LED	10-30V DC 3A	<p>For mating cordsets see page 3-26 and 3-27.</p>	0.2m (8in)	A	898D-58PT-N12
	LEDs (PNP)				B	898D-P58PT-N12
	No LED		Cable	5m (16.4ft)	A	898D-58PT-A5
	LEDs (PNP)			10m (32.8ft)	B	898D-P58PT-A5
Aluminum sealing cap for unused ports						1485A-C3

Distribution Boxes, 8-Port Dual Input DC Micro Style

Dual Input Per Port, Parallel Wired

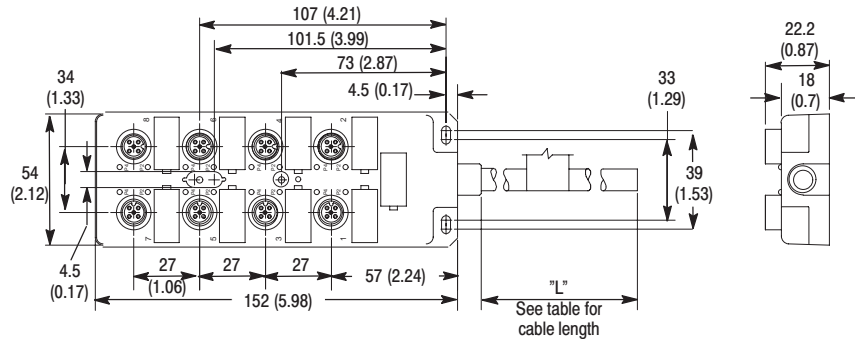


DC Micro 8-Port Dual Input

Specifications

Body	Yellow PBT
Connector Insert	PBT
Receptacle Shell	Nickel-plated brass
Contacts	Gold-plated palladium/nickel
Cable	Oil-resistant black PUR jacket, (3) 18AWG, (16) 22AWG conductors
Cable O.D.	9.8mm (0.39in)
Enclosure Rating	IP67, NEMA 6P
Temperature	-30°C to +105°C (-22°F to +221°F)

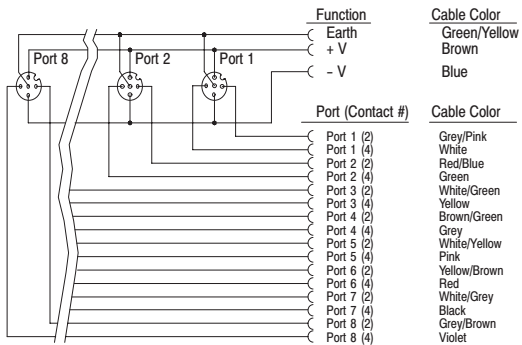
Dimensions—mm (in)



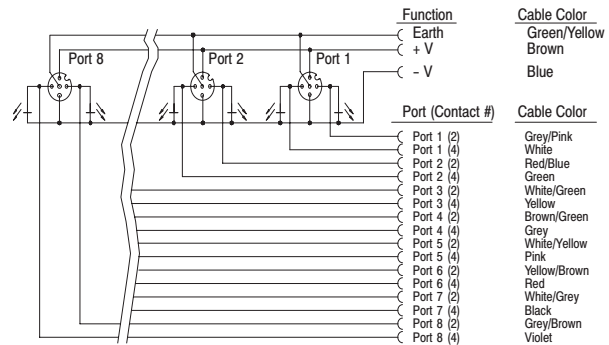
Features

- Dual inputs per connector provides up to 16 inputs
- Accommodates 4-wire DC sensor or two sensors per connector with splitter or Y-cable
- LED version for use with PNP (sourcing) inputs

Wiring Diagrams



Wiring A



Wiring B

Product Selection

Face View of Female (8)	Illuminated	Rating	Face View of Male (1)	Cable Length	Wiring	Catalog Number
<p>See mating male cordsets (page 3-45), patchcords (pages 3-46 through 3-51), and splitter (pages 3-52 and 3-94)</p>	No LED	10-30V DC 2A per port 12A max	Cable	5m (16.4ft)	A	898D-58DT-B5
				10m (32.8ft)		898D-58DT-B10
	LEDs (PNP)			5m (16.4ft)	B	898D-P58DT-B5
				10m (32.8ft)		898D-P58DT-B10
Aluminum sealing cap for unused ports						1485A-C3

Note: When using Y-cables, order catalog number 879DZ-F4AEDM-x (x = length in meters 1, 2, 3, 5 standard)