



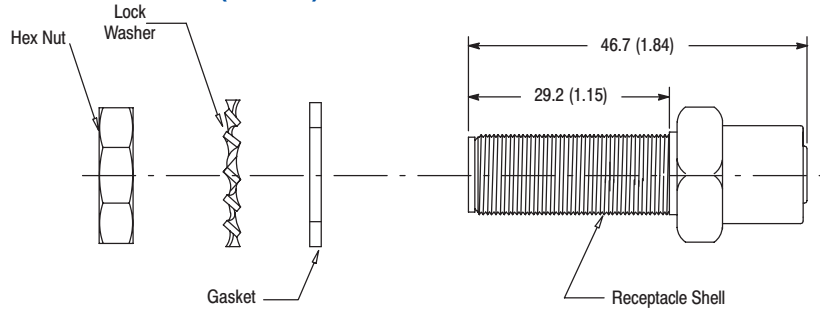
Specifications

Shell & Locknut	Nickel-plated brass
Connector Insert	Nylon
Gasket	Neoprene
Thrust washer	Steel Alloy
Contacts	Gold-plated palladium/nickel
Enclosure Rating	IP67
Temperature	-20° C to +80° C (-4° F to +176° F)

Features

- Male to female bulkhead pass-thru provides flexibility in thru-panel installations
- Standard 5-pin DC micro version allows use for a variety of pin-count configurations

Dimensions—mm (inches)



Product Selection

Face View of Female	Rating	Face View of Male	Catalog Number
	250V 4A		1485A-CXR5-D5