

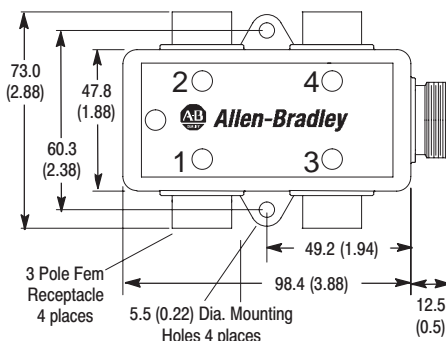


4-Port AC Micro

### Specifications

<b>Body</b>	Yellow PET
<b>Connector Input</b>	PVC
<b>Receptacle Shell</b>	Anodized aluminum with clear sealant
<b>Contacts</b>	Gold-plated palladium/nickel
<b>Enclosure Rating</b>	IP67, NEMA 6P
<b>Temperature</b>	-30°C to +105°C (-22°F to +221°F)

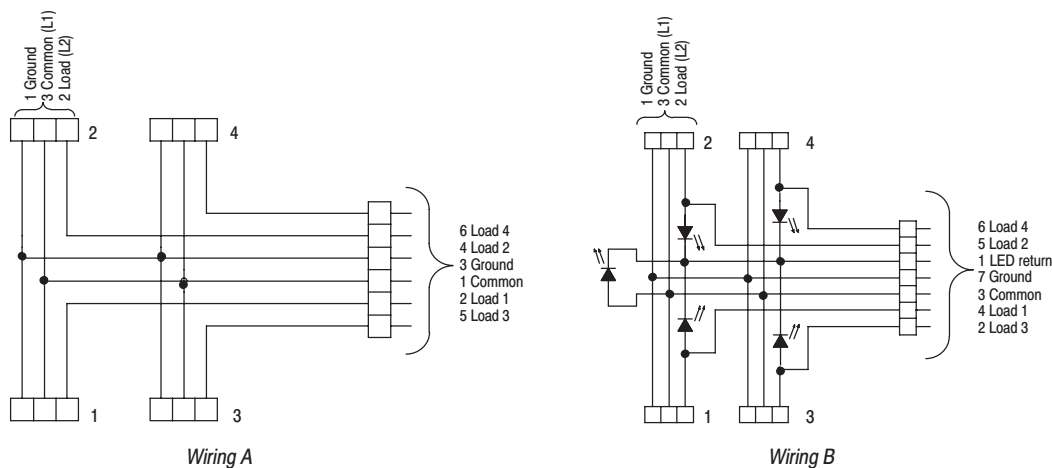
### Dimensions—mm (in)



### Features

- 4 parallel wired 3-pin AC micro connectors
- Highly visible yellow PET body offers good chemical and oil resistance
- UL recognized and CSA certified

### Wiring Diagrams



### Product Selection

Face View of Female (4)	Illuminated	Rating	Face View of Male (1)	Wiring	Catalog Number
<p>For mating male cordsets see page 3-70. For patchcords see page 3-71.</p>	No LED	300V 3A	<p>For mating cordsets see page 3-8.</p>	A	898R-34PS-N6
	LED	120V 3A	<p>For mating cordsets see page 3-24.</p>	B	898R-L34PS-N7
Aluminum sealing caps for unused ports					889A-RMCAP

AB PLCs

# Distribution Boxes, 6-Port AC Micro Style

Parallel Wired

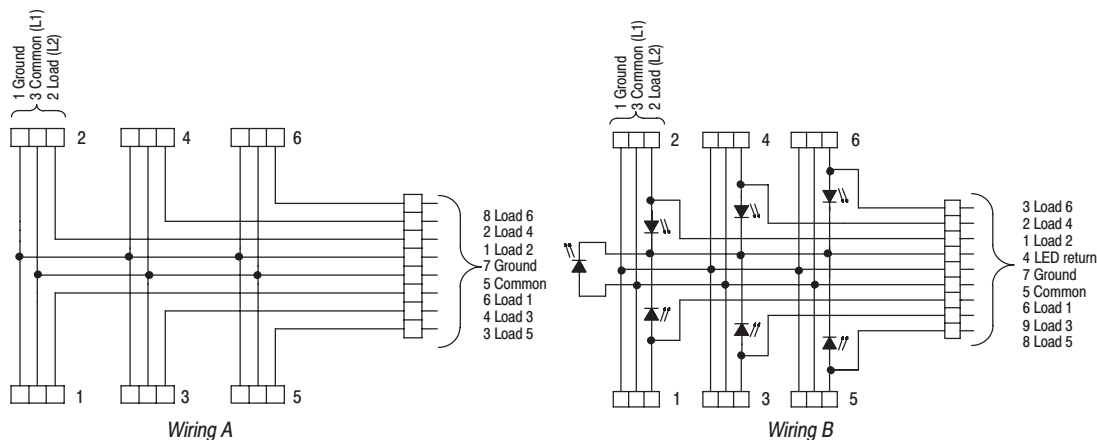


6-Port AC Micro

### Features

- 6 parallel wired 3-pin AC micro connectors
- Highly visible yellow PET body offers good oil and chemical resistance
- UL recognized and CSA certified

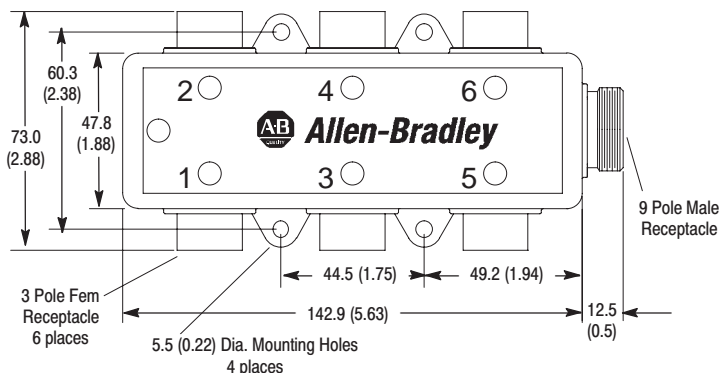
### Wiring Diagrams



### Specifications

<b>Body</b>	Yellow PET
<b>Connector Input</b>	PVC
<b>Receptacle Shell</b>	Anodized aluminum with clear sealant
<b>Contacts</b>	Gold-plated palladium/nickel
<b>Enclosure Rating</b>	IP67, NEMA 6P
<b>Temperature</b>	-30°C to +105°C (-22°F to +221°F)

### Dimensions—mm (in)



### Product Selection

Face View of Female (6)	Illuminated	Rating	Face View of Male (1)	Wiring	Catalog Number
<p>For mating male cordsets see page 3-70. For patchcords see page 3-72.</p>	No LED	300V 3A	<p>For mating cordsets see page 3-24.</p>	A	898R-36PS-N8
	LED	120V 3A	<p>For mating cordsets see page 3-26.</p>	B	898R-L36PS-N9
Aluminum sealing caps for unused ports					889A-RMCAP

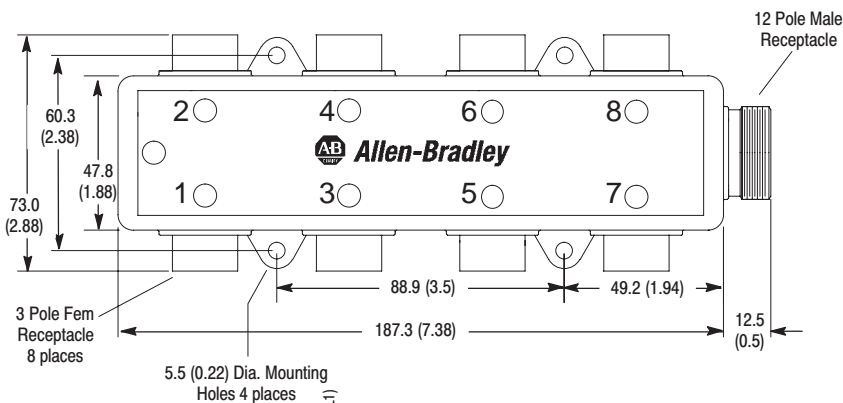


8-Port AC Micro

**Specifications**

<b>Body</b>	Yellow PET
<b>Connector Input</b>	PVC
<b>Receptacle Shell</b>	Anodized aluminum with clear sealant
<b>Contacts</b>	Gold-plated palladium/nickel
<b>Enclosure Ratings</b>	IP67, NEMA 6P
<b>Temperature</b>	-30°C to +105°C (-22°F to +221°F)

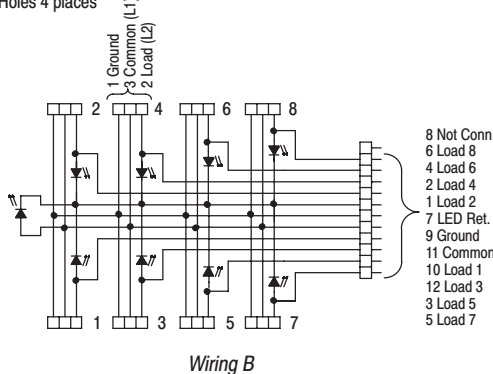
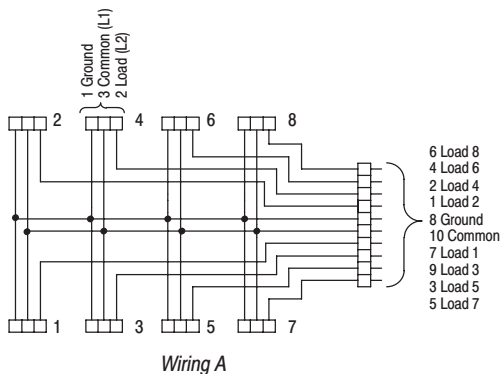
**Dimensions—mm (in)**



**Features**

- Eight parallel wired 3-pin AC micro connectors
- Highly visible yellow PET body offers good oil and chemical resistance
- UL recognized and CSA certified

**Wiring Diagrams**



**Product Selection**

Face View of Female (8)	Illuminated	Rating	Face View of Male (1)	Wiring	Catalog Number
<p>For mating male cordsets see page 3-70. For patchcords see page 3-71.</p>	No LED	300V 3A	<p>For mating cordsets see page 3-26.</p>	A	898R-38PS-N10
	LED	120V 3A	<p>For mating cordsets see page 3-26.</p>	B	898R-L38PS-N12
Aluminum sealing caps for unused ports					889A-RMCAP