



Pico Snap-On Style

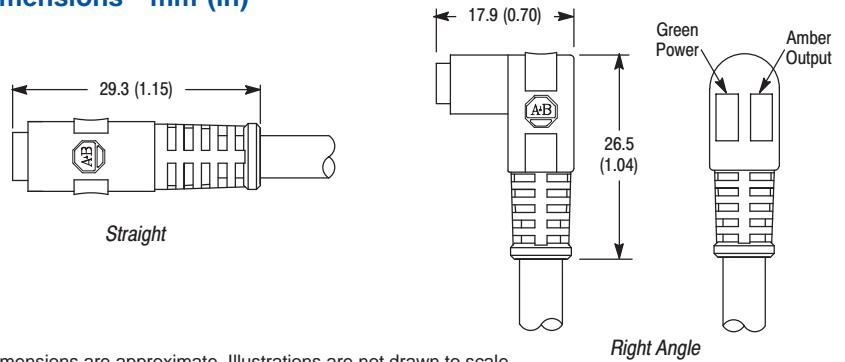
### Specifications

<b>Coupling Nut</b>	None
<b>Connector</b>	Molded TPE
<b>Contacts</b>	Gold-plated palladium/nickel
<b>Cable</b>	Oil-resistant yellow PVC jacket, 24AWG conductors, 300V, UL recognized, CSA certified
<b>Cable O.D.</b>	3/c = 4.3mm (0.17in) 4/c = 4.6mm (0.18in)
<b>Enclosure Rating</b>	IP65, NEMA 4
<b>Temperature</b>	-20°C to +105°C (-4°F to +221°F)

### Features

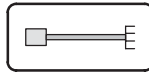
- Highly visible yellow PVC jacket offers good oil and chemical resistance
- Snap-on coupling style for quick and simple connection

### Dimensions—mm (in)



Dimensions are approximate. Illustrations are not drawn to scale.

### Product Selection



Female Connector (Sensor End)		Cable			Catalog Number
Face View of Female	Connector Style	Wire Color	Wire Rating	Length m (ft)	
	Straight	1 Brown 3 Blue 4 Black	24AWG 60V AC/75V DC 4A	2 (6.5)	<b>889P-S3AB-2</b>
				5 (16.4)	<b>889P-S3AB-5</b>
	Right Angle			10 (32.8)	<b>889P-S3AB-10</b>
				2 (6.5)	<b>889P-Z3AB-2</b>
	Straight	1 Brown 2 White 3 Blue 4 Black		5 (16.4)	<b>889P-Z3AB-5</b>
				10 (32.8)	<b>889P-Z3AB-10</b>
	Right Angle			2 (6.5)	<b>889P-S4AB-2</b>
				5 (16.4)	<b>889P-S4AB-5</b>
			10 (32.8)	<b>889P-S4AB-10</b>	
			2 (6.5)	<b>889P-Z4AB-2</b>	
5 (16.4)	<b>889P-Z4AB-5</b>				
10 (32.8)	<b>889P-Z4AB-10</b>				

Note: PUR cable models also available (example: **889P-S3UB-2**).

# Cordsets, Pico Style

## Snap-On Style



Pico Snap-On Style

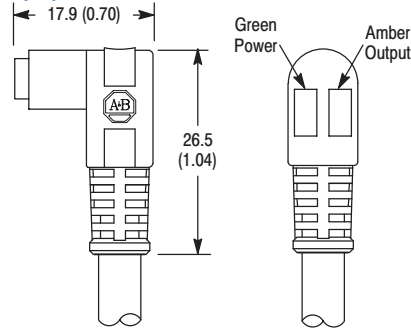
### Specifications

<b>Coupling Nut</b>	None
<b>Connector</b>	Molded TPE
<b>Contacts</b>	Gold-plated palladium/nickel
<b>Cable</b>	Oil-resistant yellow PVC jacket, 24AWG conductors, 300V, UL recognized and CSA certified
<b>Cable O.D.</b>	3/c = 4.3mm (0.17in)
<b>Enclosure Rating</b>	IP65, NEMA 4
<b>Temperature</b>	-20°C to +105°C (-4°F to +221°F)

### Features

- Highly visible LED power and output indicators for both PNP and NPN output
- Highly visible yellow PVC jacket offers good oil and chemical resistance
- Snap-on coupling style for quick and simple connection

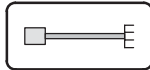
### Dimensions—mm (in)



Right Angle Female

Dimensions are approximate. Illustrations are not drawn to scale.

### Product Selection



Female Connector (Sensor End)		Cable			LED Output Style	Catalog Number
Face View of Female	Connector Style	Wire Color	Wire Rating	Length m (ft)		
	Right Angle with LED	1 Brown 3 Blue 4 Black	24AWG 10-30V DC 4A	2 (6.5)	PNP	889P-W3AB-2
				5 (16.4)		889P-W3AB-5
				10 (32.8)		889P-W3AB-10
				2 (6.5)	NPN	889P-Y3AB-2
				5 (16.4)		889P-Y3AB-5
				10 (32.8)		889P-Y3AB-10

Note: PUR cable models also available (example: 889P-W3UB-2).



Pico Screw-On Style

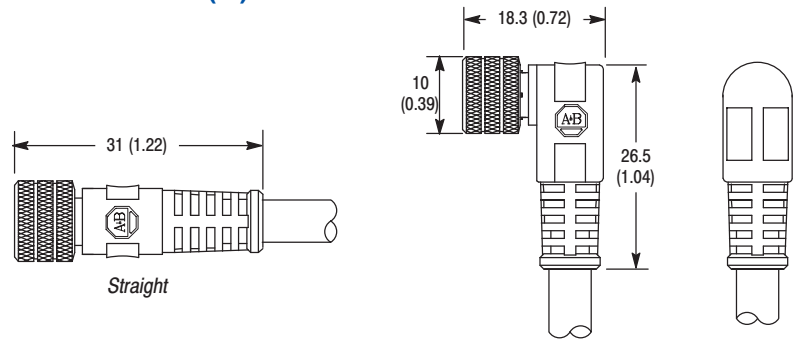
**Specifications**

<b>Coupling Nut</b>	Nickel-plated brass
<b>Connector</b>	Molded TPE
<b>Contacts</b>	Gold-plated palladium/nickel
<b>Cable</b>	Oil-resistant yellow PVC jacket, 24AWG conductors, 300V, UL recognized, CSA certified
<b>Cable O.D.</b>	3/c = 4.3mm (0.17in) 4/c = 4.6mm (0.18in)
<b>Enclosure Rating</b>	IP67, NEMA 6P
<b>Temperature</b>	-20° C to +105° C (-4° F to +221° F)

**Features**

- Highly visible yellow PVC jacket offers good oil and chemical resistance
- Screw-on coupling nut for rugged reliable connection
- Ratcheting coupling nuts for vibration resistance

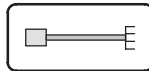
**Dimensions—mm (in)**



Dimensions are approximate. Illustrations are not drawn to scale.

Right Angle

**Product Selection**



Female Connector (Sensor End)		Cable			Catalog Number
Face View of Female	Connector Style	Wire Color	Wire Rating	Length m (ft)	
	Straight	1 Brown 3 Blue 4 Black	24AWG 60V AC/75V DC 4A	2 (6.5)	<b>889P-F3AB-2</b>
				5 (16.4)	<b>889P-F3AB-5</b>
	10 (32.8)			<b>889P-F3AB-10</b>	
	Right Angle			2 (6.5)	<b>889P-R3AB-2</b>
5 (16.4)		<b>889P-R3AB-5</b>			
	Straight	1 Brown 2 White 3 Blue 4 Black		2 (6.5)	<b>889P-F4AB-2</b>
				5 (16.4)	<b>889P-F4AB-5</b>
	10 (32.8)			<b>889P-F4AB-10</b>	
	Right Angle		2 (6.5)	<b>889P-R4AB-2</b>	
			5 (16.4)	<b>889P-R4AB-5</b>	
	10 (32.8)		<b>889P-R4AB-10</b>		

**Note:** PUR cable models also available (example: **889P-F3UB-2**).  
 Straight male models may be ordered by changing "F" to "M" in the catalog number (e.g., **889P-M3AB-2**)  
 Right angle male models may be ordered by changing "R" to "E" in the catalog number (e.g., **889P-E3AB-2**)

# Cordsets, Pico Style

## Screw-On Style



Pico Screw-On Style

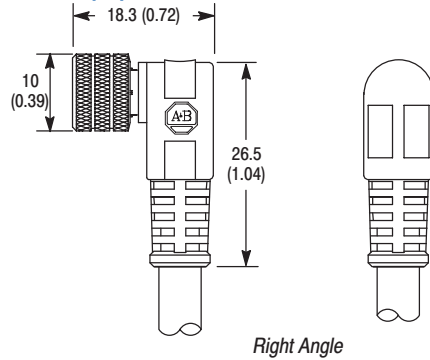
### Specifications

<b>Coupling Nut</b>	Nickel-plated brass
<b>Connector</b>	Molded TPE
<b>Contacts</b>	Gold-plated palladium/nickel
<b>Cable</b>	Oil-resistant yellow PVC jacket, 24AWG conductors, 300V, UL recognized, CSA certified
<b>Cable O.D.</b>	3/c = 4.3mm (0.17in)
<b>Enclosure Rating</b>	IP67, NEMA 6P
<b>Temperature</b>	-20°C to +105°C (-4°F to +221°F)

### Features

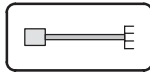
- Highly visible LED power and output indicators for both PNP and NPN output
- Highly visible yellow PVC jacket offers good oil and chemical resistance
- Screw-on coupling nut for rugged reliable connection
- Ratcheting coupling nuts for vibration resistance

### Dimensions—mm (in)



Dimensions are approximate. Illustrations are not drawn to scale.

### Product Selection



Female Connector (Sensor End)		Cable			LED Output Style	Catalog Number
Face View of Female	Connector Style	Wire Color	Wire Rating	Length m (ft)		
	Right Angle with LED	1 Brown 3 Blue 4 Black	24AWG 10-30V DC 4A	2 (6.5)	PNP	889P-P3AB-2
				5 (16.4)		889P-P3AB-5
				10 (32.8)		889P-P3AB-10
				2 (6.5)	NPN	889P-N3AB-2
				5 (16.4)		889P-N3AB-5
				10 (32.8)		889P-N3AB-10

Note: PUR cable models also available (example: 889P-P3UB-2).