



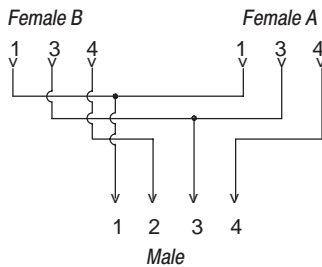
Specifications

Body	Black PUR
Connector Insert	PUR
Receptacle Shell	Nickel-plated brass
Contacts	Gold-plated palladium/nickel
O-Ring	Viton [®]
Enclosure Rating	IP67, NEMA 6P
Temperature	0° C to +85° C (32° F to +185° F)

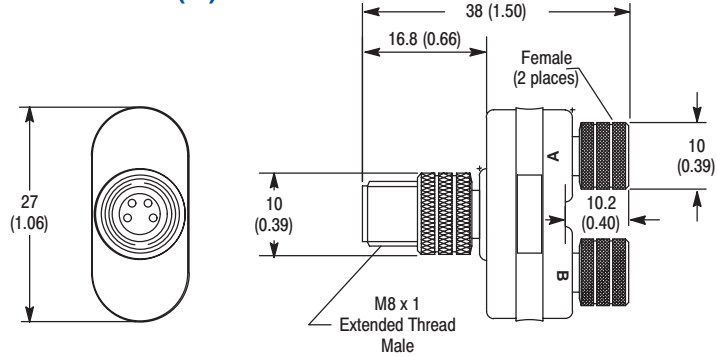
Features

- Two 3-pin female pico to one 4-pin DC micro connector allows simplification of wiring
- PUR body offers good oil and chemical resistance
- Ratcheting coupling nuts for vibration resistance

Wiring Diagrams



Dimensions—mm (in)



Dimensions are approximate.
 Illustrations are not drawn to scale.

Product Selection

Face View of Female (2)	Rating	Face View of Male(1)	Catalog Number
	60V AC/75V DC 4A		898P-32YY-PM4

Splitter, Pico Style

Pico to DC Micro



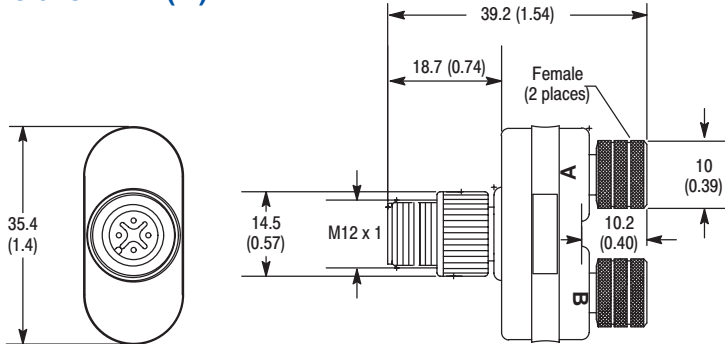
Specifications

Body	Black PUR
Connector Insert	PUR
Receptacle Shell	Nickel-plated brass
Contacts	Gold-plated palladium/nickel
O-Ring	Viton®
Enclosure Rating	IP67, NEMA 6P
Temperature	0°C to +85°C (32°F to +185°F)

Features

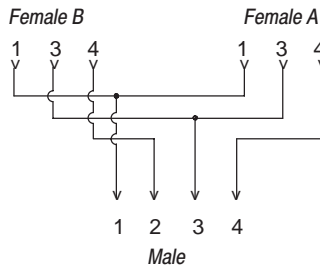
- Two 3-pin female pico to one 4-pin DC micro connector allows simplification of wiring
- Splitter designed for use with dual input DC micro distribution boxes and MaXum™ distributed I/O
- PUR body offers good oil and chemical resistance
- Ratcheting coupling nuts for vibration resistance

Dimensions—mm (in)



Dimensions are approximate. Illustrations are not drawn to scale.

Wiring Diagrams



Product Selection

Face View of Female (2)	Rating	Face View of Male(1)	Catalog Number
	60V AC/75V DC 4A		898P-32YY-DM4