



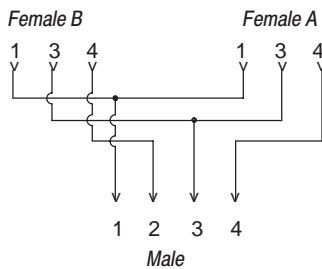
Specifications

Coupling Nut	Nickel-plated brass (Pico) Epoxy-coated zinc (DC Micro)
Connector	Molded TPE
Contacts	Gold-plated palladium/nickel
Cable	Oil resistant yellow PVC jacket, 24AWG conductors, 300V, UL recognized, CSA certified
Cable O.D.	3/c = 4.3mm (0.17in) 4/c = 4.6mm (0.18in)
Enclosure Rating	IP67, NEMA 6P
Temperature	-20°C to +105°C (-4°F to +221°F)

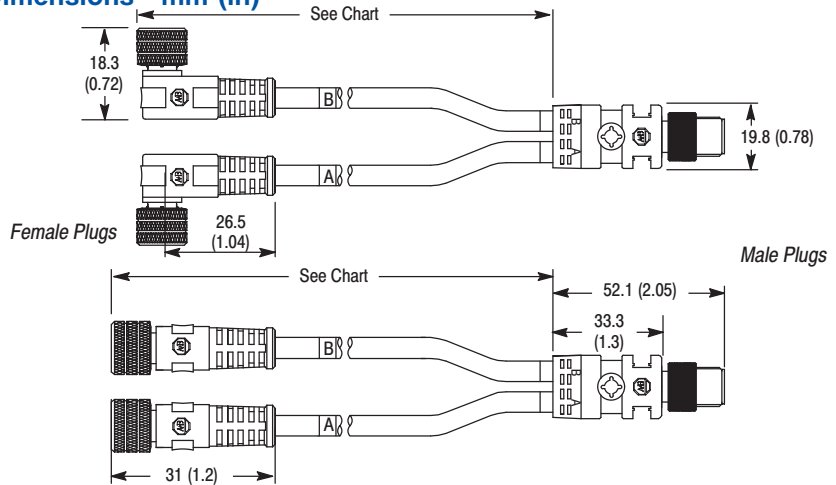
Features

- Highly visible yellow PVC jacket offers good oil and chemical resistance
- Convenient connection of 2 sensors to 1 I/O port
- Screw-on coupling nuts for rugged reliable connection
- Ratcheting coupling nuts for vibration resistance

Wiring Diagrams

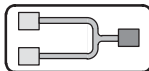


Dimensions—mm (in)



Dimensions are approximate. Illustrations are not drawn to scale.

Product Selection



Female Connector (Sensor End)		Cable		Male Connector (I/O End)		Catalog Number	
Face View of Female	Connector Style	Wire Rating	Length—m (ft)	Face View of Male	Connector Style		
	Straight	24AWG 60V AC/75V DC 4A	0.3 (1)		Straight (on Y-body)	879PZ-F3ABDM4-0M3	
			1 (3.3)			879PZ-F3ABDM4-1	
			2 (6.5)			879PZ-F3ABDM4-2	
			5 (16.4)			879PZ-F3ABDM4-5	
			10 (32.8)			879PZ-F3ABDM4-10	
	Right Angle		0.3 (1)			Straight (on Y-body)	879PZ-R3ABDM4-0M3
			1 (3.3)				879PZ-R3ABDM4-1
			2 (6.5)				879PZ-R3ABDM4-2
			5 (16.4)				879PZ-R3ABDM4-5
			10 (32.8)				879PZ-R3ABDM4-10
	Straight	0.3 (1)		Straight (on Y-body)	879PZ-F4ABDM-0M3		
		1 (3.3)			879PZ-F4ABDM-1		
		2 (6.5)			879PZ-F4ABDM-2		
		5 (16.4)			879PZ-F4ABDM-5		
		10 (32.8)			879PZ-F4ABDM-10		

Note: PUR cable models also available (example: 879PZ-F3UBDM4-1).

Allen-Bradley PLCs

Y-Cable, Pico Style

DC Micro Male to (2) Pico Female



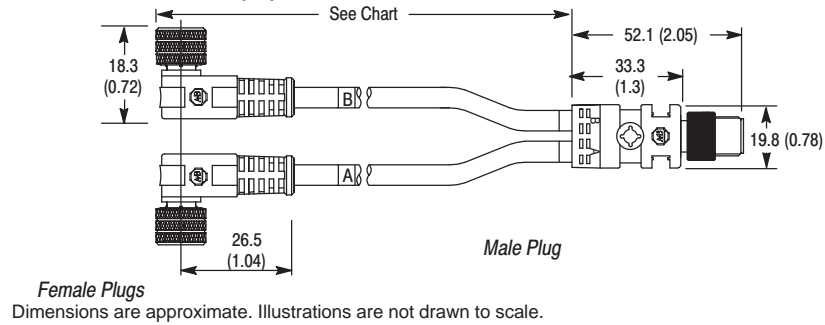
Specifications

Coupling Nut	Nickel-plated brass (Pico) Epoxy-coated zinc (DC Micro)
Connector	Molded TPE
Contacts	Gold-plated palladium/nickel
Cable	Oil resistant yellow PVC jacket, 24AWG conductors, 300V, UL recognized, CSA certified
Cable O.D.	3/c = 4.3mm (0.17in) 4/c = 4.6mm (0.18in)
Enclosure Rating	IP67, NEMA 6P
Temperature	-20°C to +105°C (-4°F to +221°F)

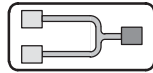
Features

- Highly visible yellow PVC jacket offers good oil and chemical resistance
- Convenient connection of 2 sensors to 1 I/O port
- Screw-on coupling nut for rugged reliable connection
- Ratcheting coupling nuts for vibration resistance

Dimensions—mm (in)



Product Selection



Female Connector (Sensor End)			Cable		Male Connector (I/O End)		Catalog Number
Face View of Female	Connector Style	LED Output Style	Wire Rating	Length—m (ft)	Face View of Male	Connector Style	
<p>Pico "x2"</p>	Right Angle with LED	PNP	24AWG 10-30V DC 4A	0.3 (1)	<p>DC Micro</p>	Straight (on Y-body)	879PZ-P3ABDM4-0M3
				1 (3.3)			879PZ-P3ABDM4-1
				2 (6.5)			879PZ-P3ABDM4-2
				3 (9.8)			879PZ-P3ABDM4-3
				5 (16.4)			879PZ-P3ABDM4-5
		10 (32.8)		879PZ-P3ABDM4-10			
		NPN		0.3 (1)			879PZ-N3ABDM4-0M3
				1 (3.3)			879PZ-N3ABDM4-1
				2 (6.5)			879PZ-N3ABDM4-2
				3 (9.8)			879PZ-N3ABDM4-3
5 (16.4)	879PZ-N3ABDM4-5						
10 (32.8)	879PZ-N3ABDM4-10						

Note: PUR cable models also available (example: 879PZ-P3ABDM4-1).