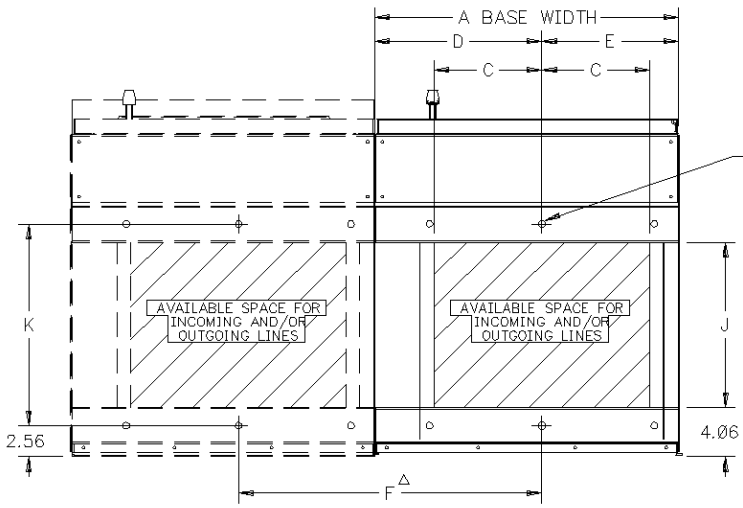
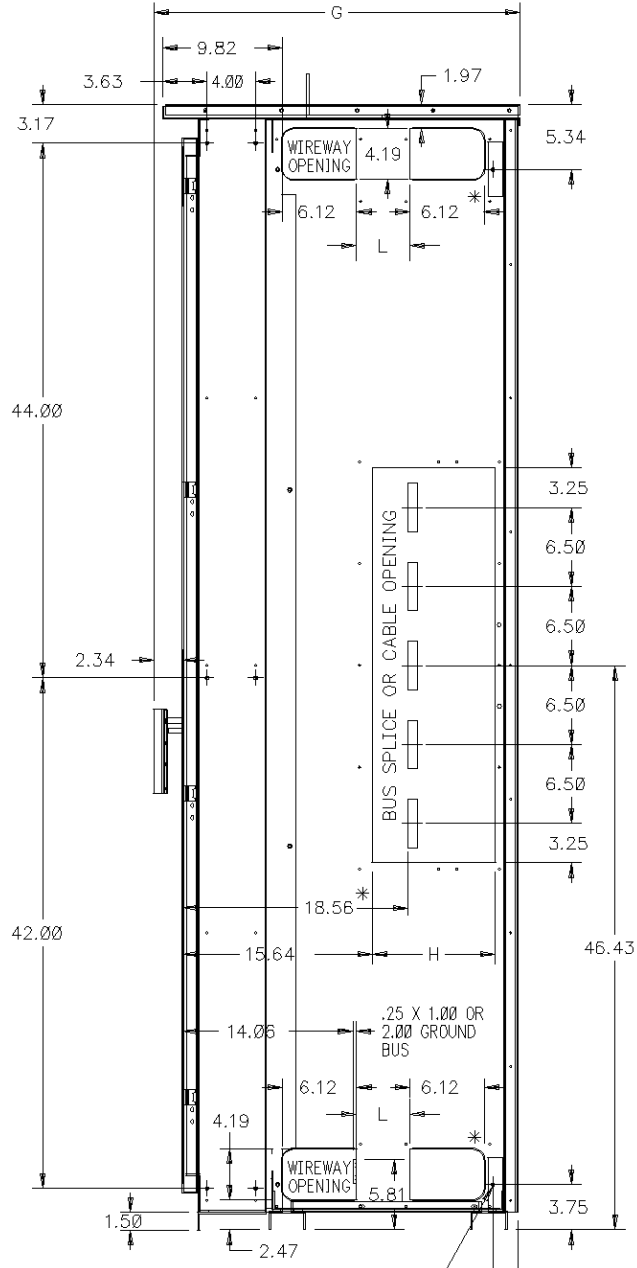
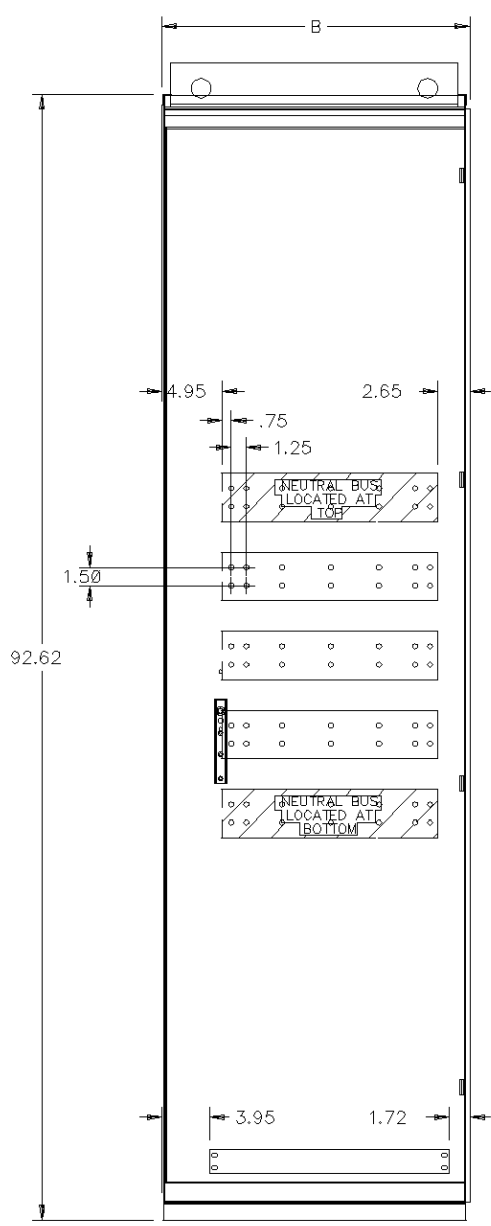


CABINET WIDTHS	A DIM.	B DIM.	C DIM.	D DIM.	E DIM.	F DIM.
25" WIDE	25.00	25.37	8.87	13.75	11.25	25.00
30" WIDE	30.00	30.37	11.37	16.25	13.75	30.00
35" WIDE	35.00	35.37	13.87	18.75	16.25	35.00

CABINET DEPTHS	G DIM.	H DIM.	J DIM.	K DIM.	L DIM.
25" DEEP	25.12	5.12	8.56	11.56	—
30" DEEP	30.12	10.12	13.56	16.56	4.40



(8) - JOINING HOLES FOR 1/4"-20 BOLTS

(2) - .625 DIA. MTG. HOLES

GENERAL NOTES:

- *FOR 30" DEEP STRUCTURE ONLY. THIS DIMENSION MAY BE INCREASED BY 5" FOR SPECIAL APPLICATIONS REAR WIREWAY OPENING ON 30" DEEP ONLY.
- Δ THIS DIMENSION REPRESENTS THE DISTANCE BETWEEN TWO STRUCTURES OF THE SAME WIDTH.
- NOTE: DIMENSIONS ARE NOT FOR MANUFACTURING PURPOSES.

PARTS MUST CONFORM TO APPLICABLE ALLEN-BRADLEY CO. WORKMANSHIP STANDARD 40126-700



References	40110-079	DIMENSION DRAWING OF STD.
Revision	Release	Dimensions Apply Before Surface Treatment
1	26058-95	Dimensions in Inches
2	29480-95	Tolerances Unless Otherwise Specified
3	11719-05	2 Place Decimal ±.02
		3 Place Decimal ±.005
Refer. Book		Angles ±1°

HORIZ. BUS LOCATION & JOINING HOLES FOR (SERIES "M") 3R STRUCTURE	
Dr. P. Borchers	Date 3-14-95
Chkd. T. BEDNAREK	Date 7-8-05
Appd. T. BEDNAREK	Date 7-8-05

THIS PART	REV. LTR.
-01	3

ACAD
Rockwell Automation Allen-Bradley
THIS DRAWING IS THE PROPERTY OF THE ALLEN-BRADLEY CO. AND MAY NOT BE COPIED, USED OR DISCLOSED FOR ANY PURPOSE EXCEPT AS AUTHORIZED BY WRITING BY THE ALLEN-BRADLEY CO. INC.
Sheet 1 Of 1
Dwg Size C 30101-242

Packaged Control Cadd