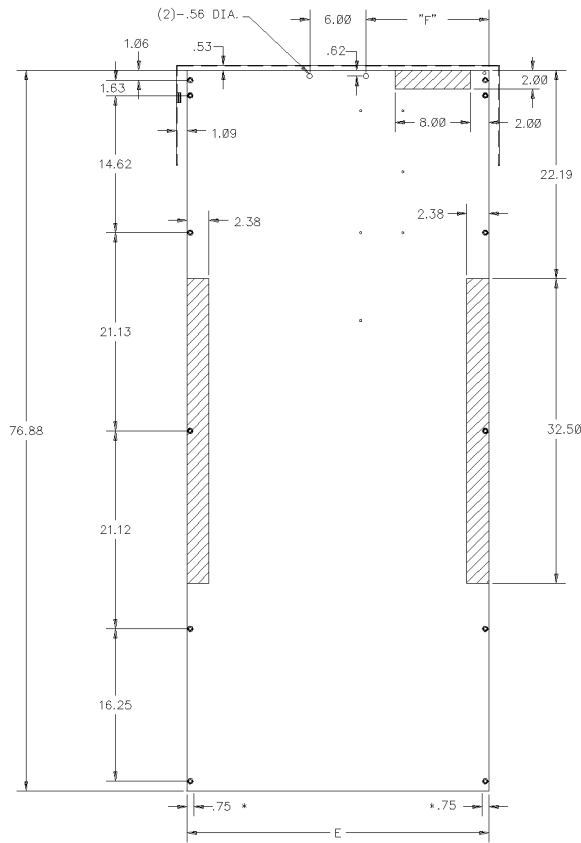
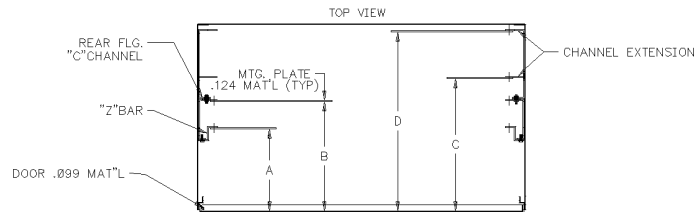


PARTS MUST CONFORM TO APPLICABLE ALLEN-BRADLEY CO. WORKMANSHIP STANDARDS 48724-700

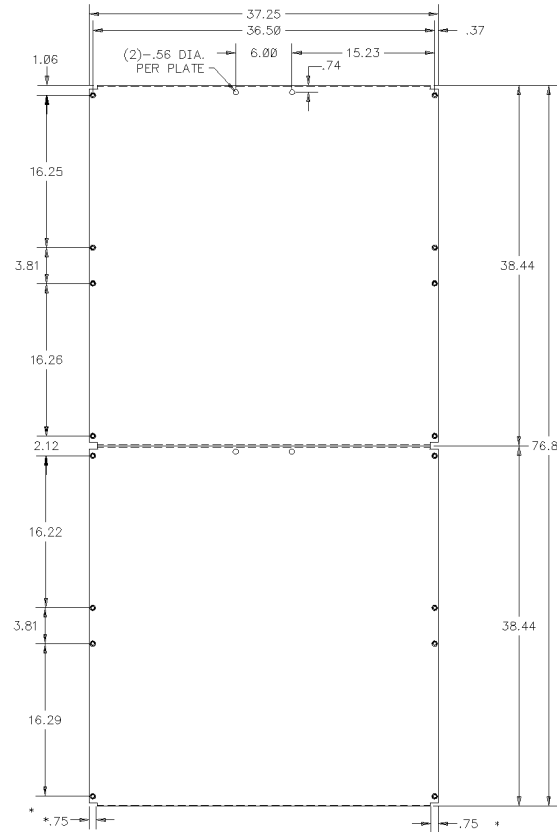
CAB. WIDTH	DIM. E	DIM. F
20"	17.25"	5.25
25"	22.25"	7.75
30"	27.25"	10.25
35"	32.25"	12.75

TYPE OF MTG.	AVAIL. DEPTH		DIM. A	DIM. B	DIM. C	DIM. D
	15"	20"				
"Z"BAR	X	X	8.672"	---	---	---
REAR FLG. "C" CHNL.	X	X	11.593"	---	---	---
CHNL. EXT.	X	X	---	14.06"	---	---
CHNL. EXT.	---	X	---	---	19.06"	---

TYPE OF MTG.	AVAIL. DEPTH	DIM. A	DIM. B	DIM. C	DIM. D
"Z"BAR	X	13.672"	---	---	---
REAR FLG. "C" CHNL.	X	---	16.593"	---	---
CHNL. EXT.	X	---	---	19.06"	---
CHNL. EXT.	X	---	---	---	24.06"



FRONT VIEW
20" WIDE - 35" WIDE



FRONT VIEW
40" WIDE MOUNTING PLATE

* THESE DIMENSIONS INDICATE AREAS OF POSSIBLE INTERFERENCE FOR HARDWARE THROUGH MTG. PLATE.

- 1) DIMENSIONS ARE NOT FOR MANUFACTURING PURPOSES.
- 2) SHADED AREA INDICATES CUTOUPS ON MOUNTING PLATE WHEN HORIZONTAL POWER BUS IS PROVIDED

THIS PART	REV. LTR.
01	1

Revision	Dimensions Apply Before Surface Treatment	DIMENSION DRAWING	Allen-Bradley
1	10664-06	FULL WIDTH MOUNTING PLATE	Rockwell Automation
2) 3 Place Decimal ±.005		W/O DISCONNECTING MEANS	
Dr. JIM KELLY	Date 2-20-06	Sheet 1	Of 1
Chkd. JIM KELLY	Date 2-22-06	Dwg Size	D
Appd. T. SAUVE	Date 2-22-06	Part No.	30101-544

Allen-Bradley Drives