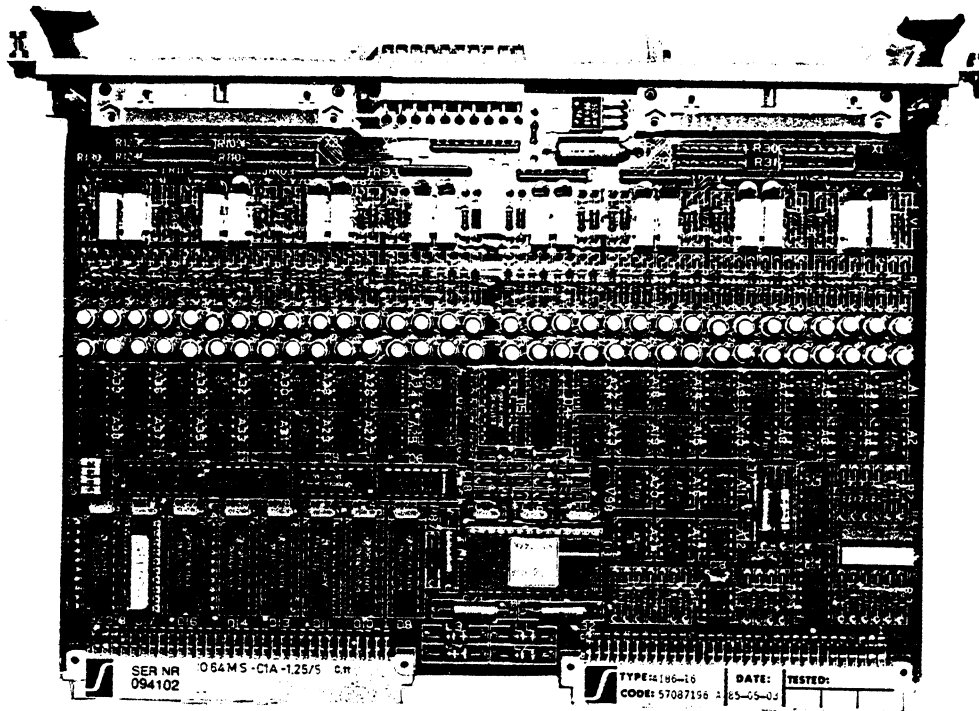


DMC ANALOG INPUT



3100 - AI2 Series A

DESCRIPTION

3100-AI2 (AI86-16) is an analog input card which provides 16 differential selectable-range analog inputs with 12-bit A/D conversion precision.

INDICATORS

None

SELECTIONS

Device Address

SPECIFICATIONS

Location:	CPU or I/O rack
Power Requirements:	5V @ .3A , 15V @ .17A and -15V @ .17A
Environment:	Temperature: 0 to 50°C Humidity: 5 to 95%

CONNECTIONS AND ASSOCIATED PRODUCTS

3130-AI

ASSOCIATED FUNCTIONAL BLOCKS

AIINI, AI

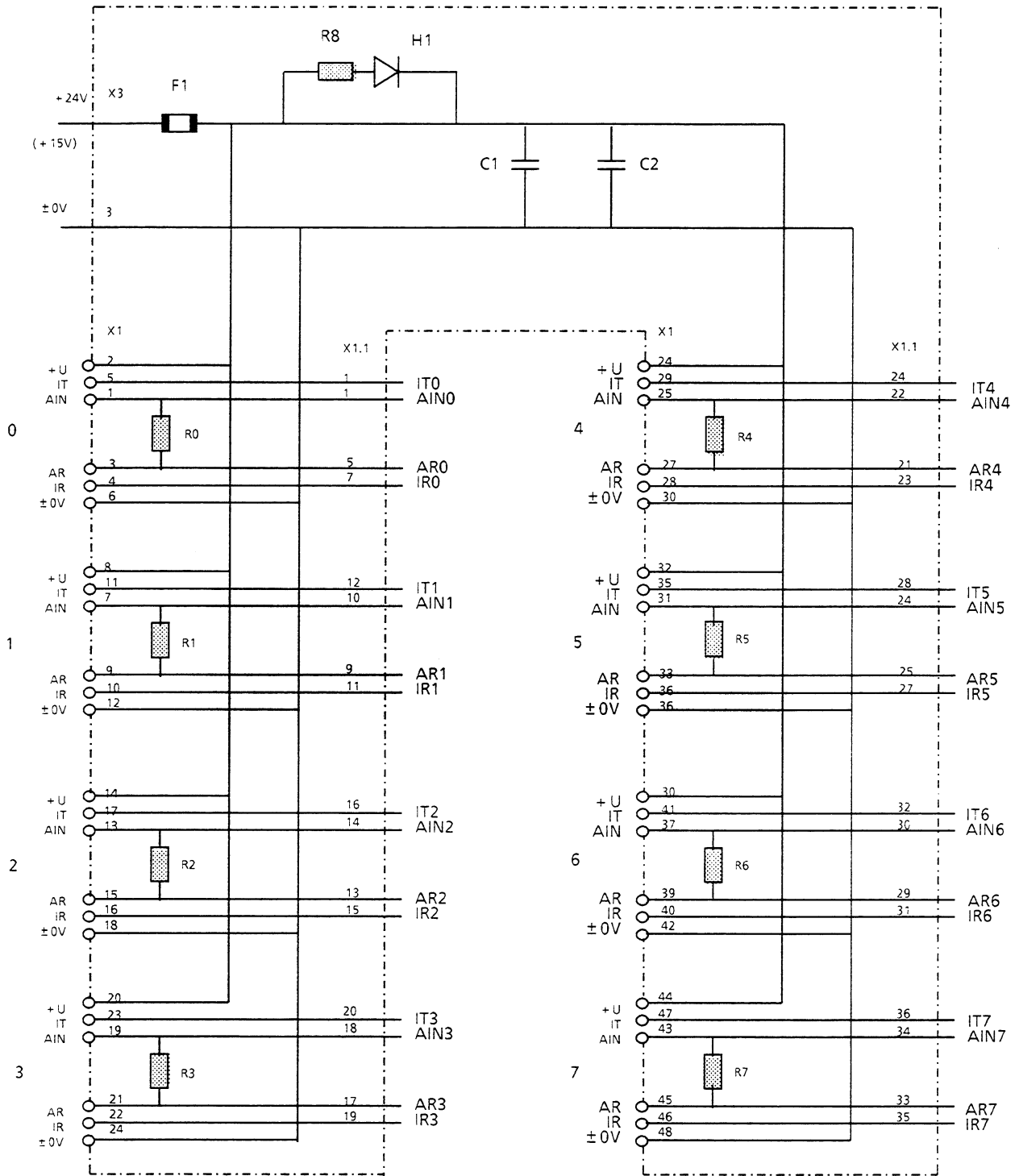


Figure 2. Terminal Strip Connection Diagram (Board 3130-A1)