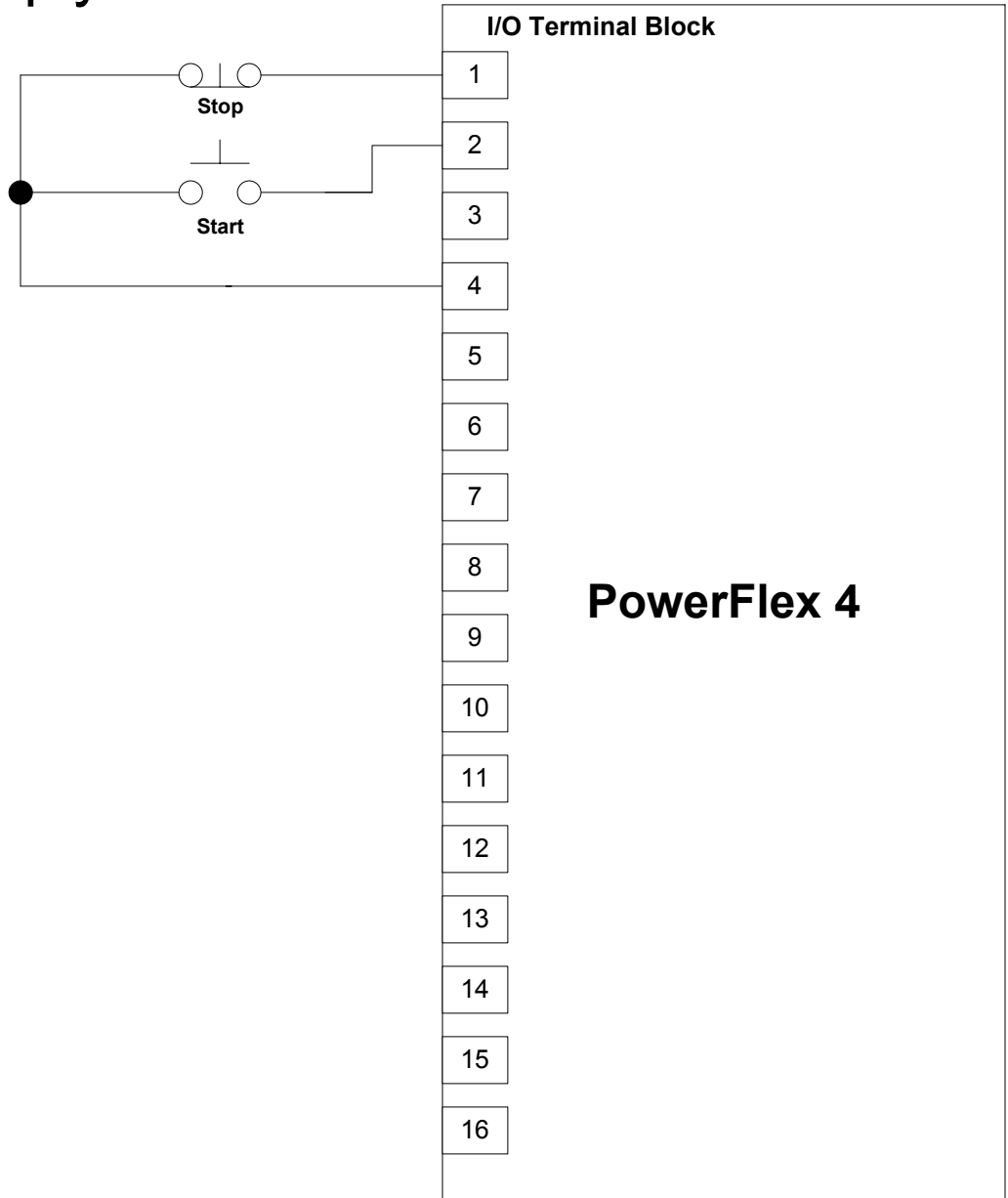


3 Wire SNK Control - Non-Reversing Internal Supply



1) SNK/SRC Switch must be in SNK position

2) Parameters that need to be programmed

P036 (Start Source) = 1

3) A momentary input will start the drive. A stop input to I/O terminal 01 will stop the drive as specified by P037 (Stop Mode).