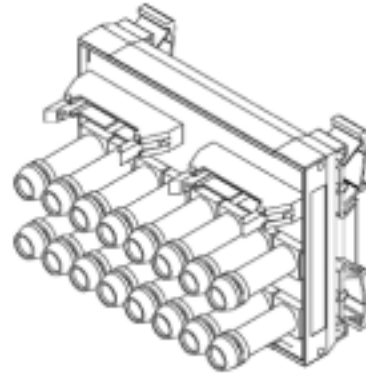


1667–Z16F PanelConnect Fuse Module



Specifications

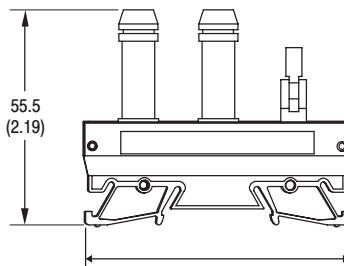
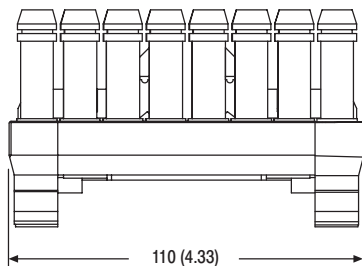
| | | |
|--------------------------------|---|------|
| Option Module Connector | Number pins | 20 |
| | Style | Male |
| Degree of Protection | IP20 | |
| Voltage Rating | 10–265V AC/DC | |
| Maximum Peak Voltage ~ | 600V _p | |
| Maximum Current (per Circuit) | 2A | |
| Maximum Current (per Module) | 12A | |
| Operating Temperature Range | 0°C to +60°C (32°F to +140°F); Noncondensing | |
| Certifications | <ul style="list-style-type: none"> cURus Recognized (File E113724 Guide NRAQ2) CE | |

ⓘ Transient voltage greater than 600V_p use a UL Recognized suppression device rated at 2.5 kV withstand.

| Connector Pin Reference I/O In ● | Field Side Connector ☒ | Connector Pin Reference I/O Out ● | Field Side Connector ☒ |
|-------------------------------------|---------------------------|--------------------------------------|---------------------------|
| 1 | 1 | 11 | 11 |
| 2 | 2 | 12 | 12 |
| 3 | 3 | 13 | 13 |
| 4 | 4 | 14 | 14 |
| 5 | 5 | 15 | 15 |
| 6 | 6 | 16 | 16 |
| 7 | 7 | 17 | 17 |
| 8 | 8 | 18 | 18 |
| 9 | 9 | 19 | 19 |
| 10 | 10 | 20 | 20 |

Dimensions—mm (inches)

16-Point PanelConnect Fuse Module



Application Notes

- Compatibility** — To ensure proper operation with the I/O module, do not exceed the voltage and current ratings of the fuse and PanelConnect Module.

AB Parts