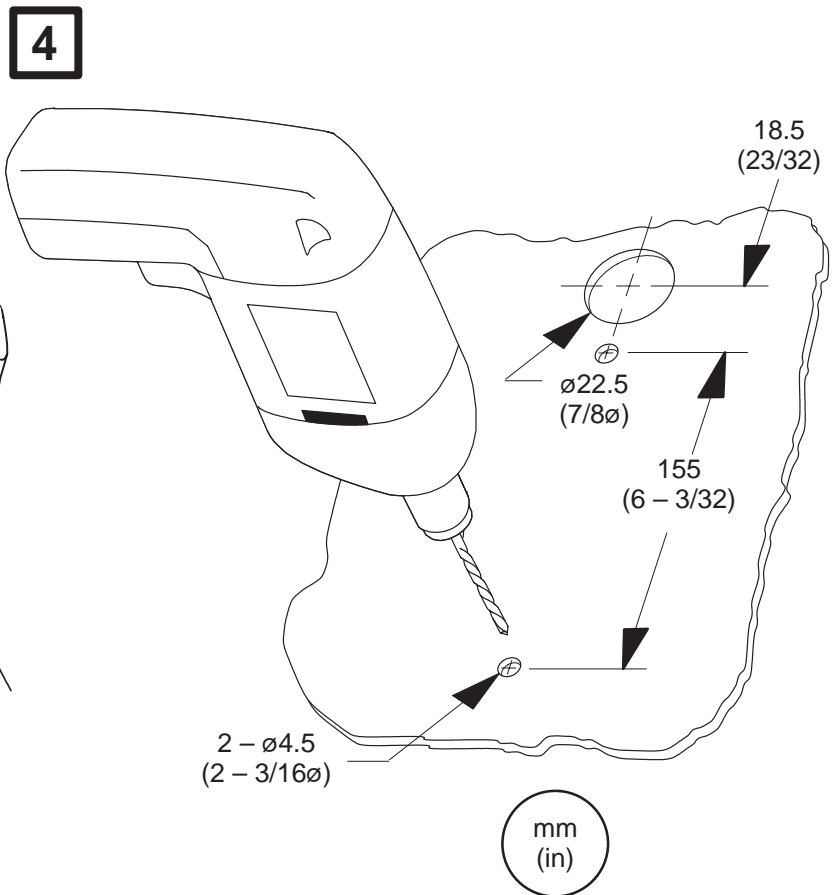
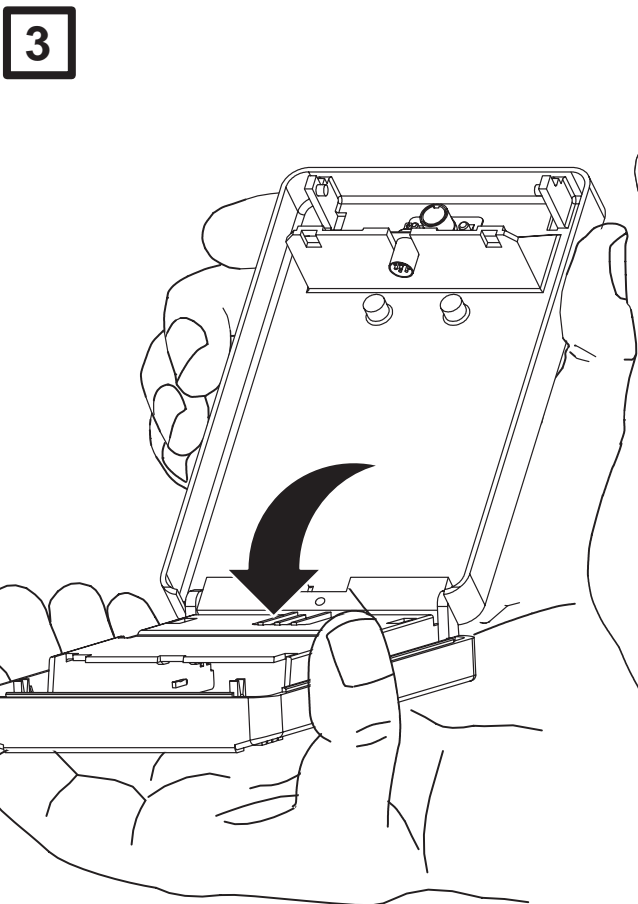
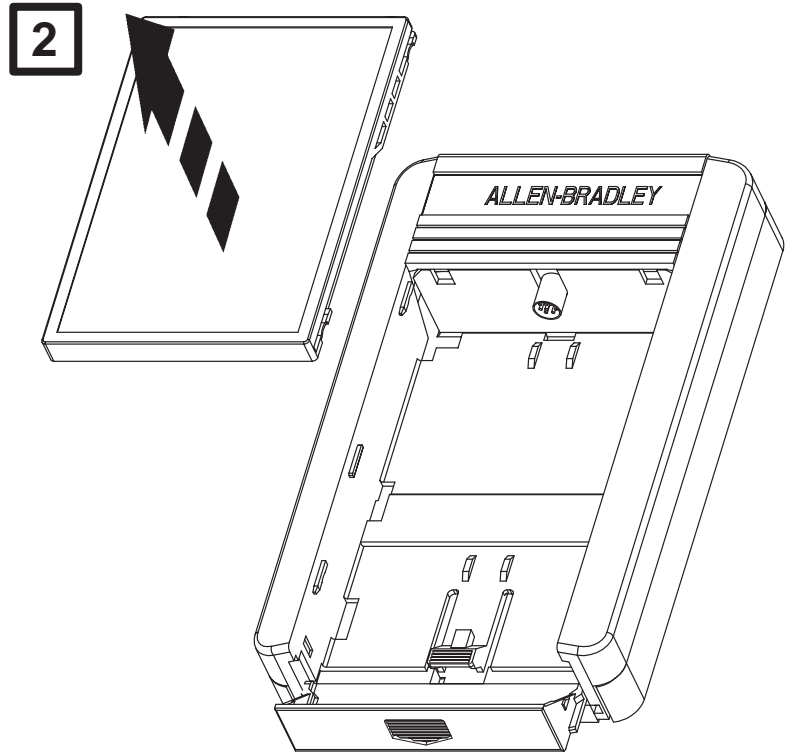
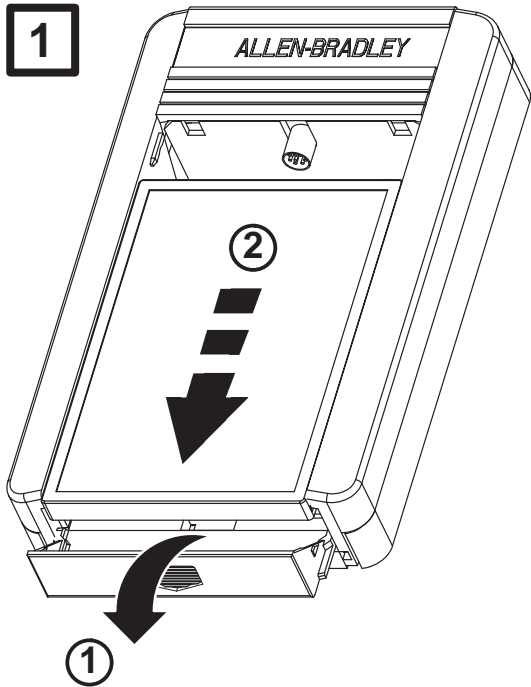




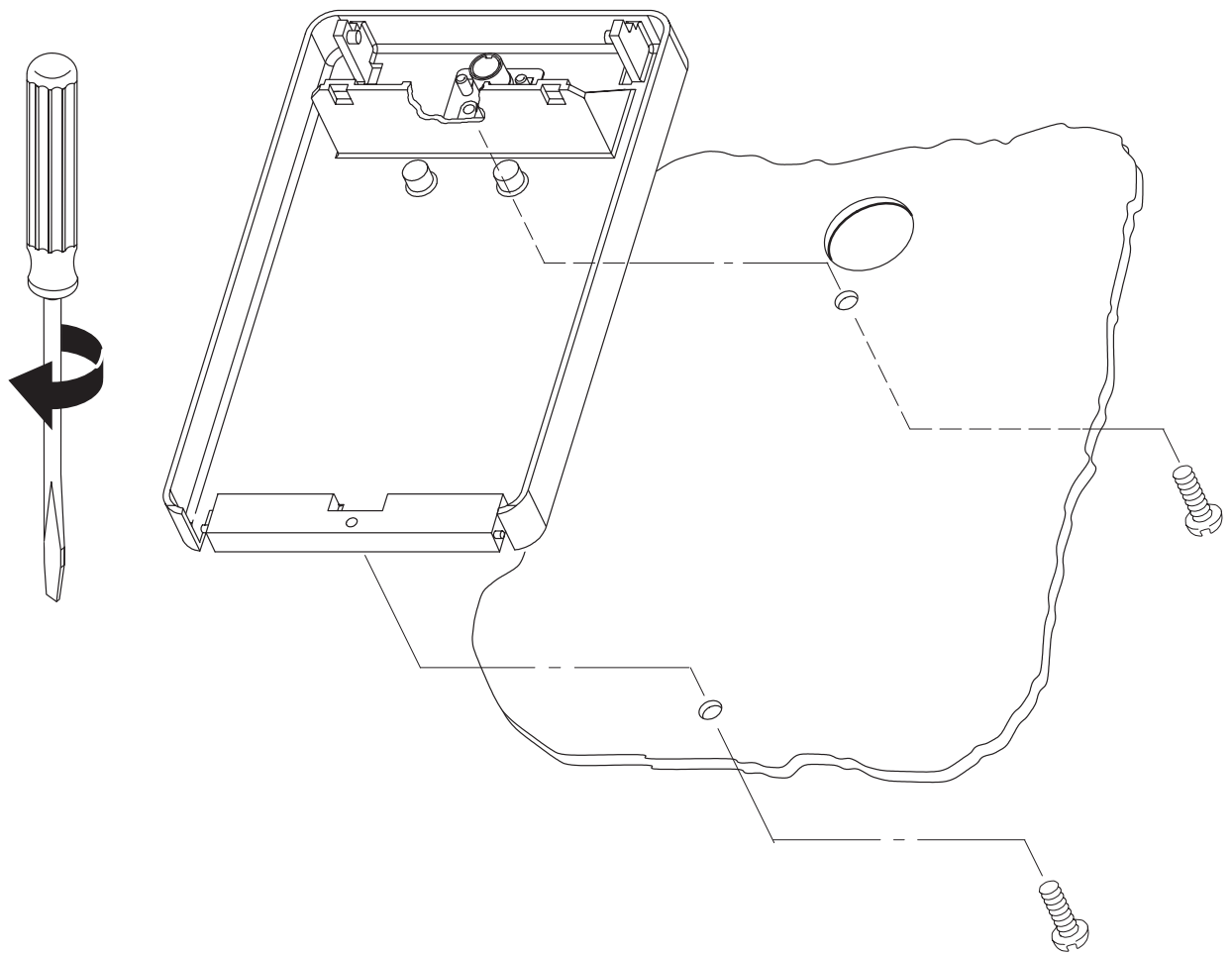
# Bulletin 1201 DMA Installation Instructions



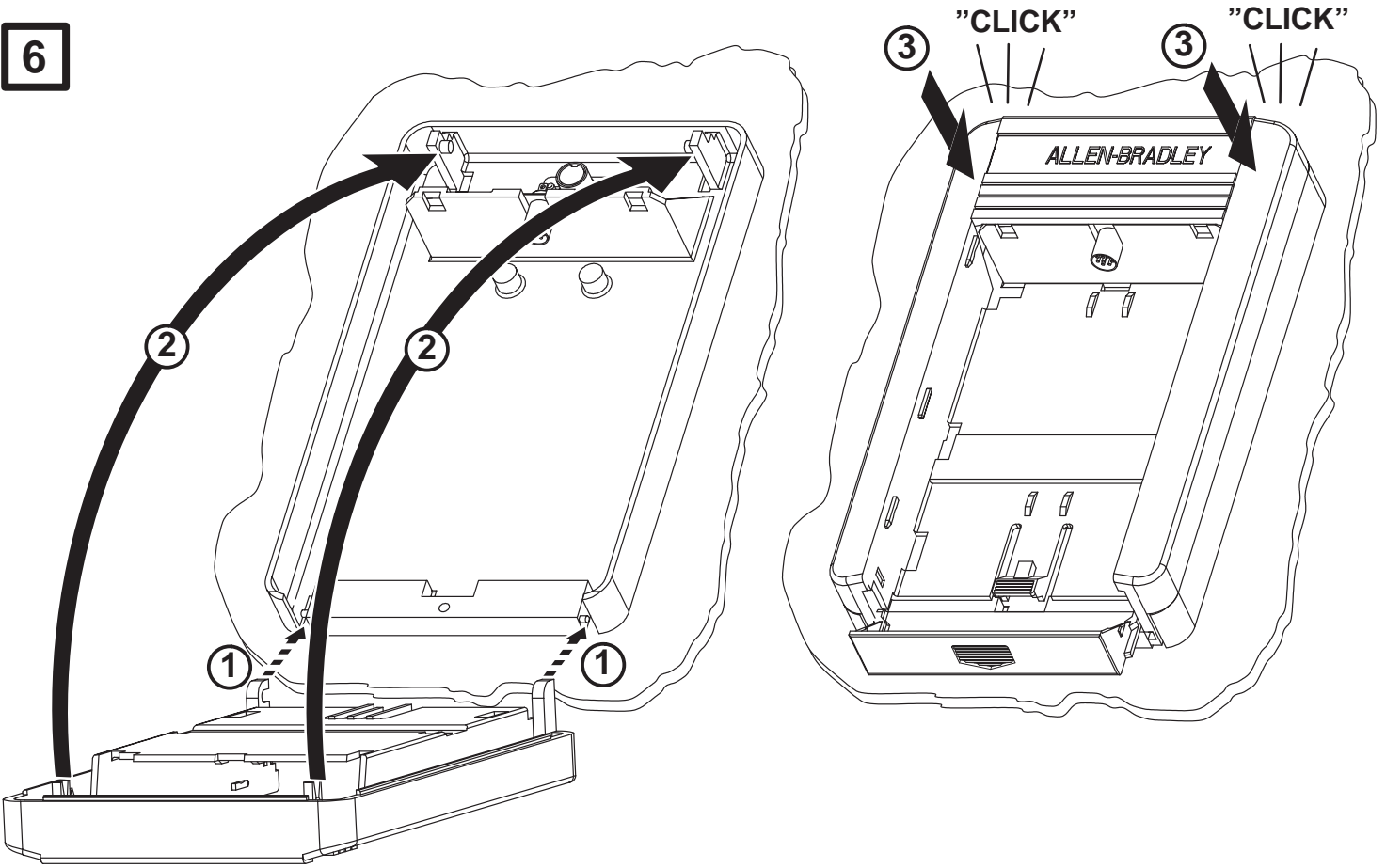
**ATTENTION:** To prevent electrical shock, disconnect from power before installing or servicing.



5



6



7

