

BULLETIN 2755-NC9 PACKAGE DETECT CONNECTOR

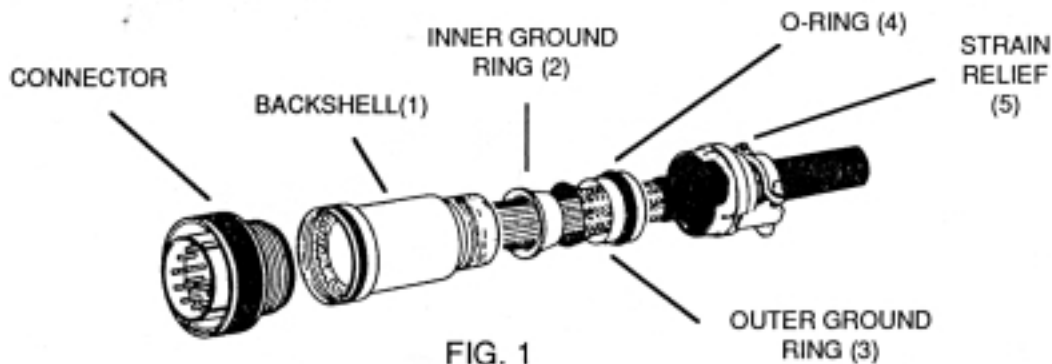


FIG. 1

The following suggested procedure serves as a guide for assembly and installation of Allen-Bradley Bulletin 2755-NC9 Package Detect Connector.

- A) Disassemble the connector as in figure 1 keeping track of the order that the parts are installed.
- B) Slip the o-ring (4) around the outer ground ring (3), fitting the o-ring (4) into the groove on the ring.
- C) Slide the connector parts onto the cable in the sequence show in figure 1.
- D) Trim the cable jacket and shield according to either figure 2 or figure 3 depending on the shield type.
- E) Assemble the cable to the connector terminals in accordance with established practices with the proper signals connected to the pinout shown in figure 4.
- F) Assemble backshell (1) to connector and tighten securely. If you have a drain wire as in figure 2, make sure you fold the drain wire back over cable jacket before attaching backshell (1). Slide inner ground ring (2) into backshell (1). Pull drain wire through the ring also.
- G) Flare shield over tapered end of inner ground ring (2) and gently force cable toward connector until shield covers taper of ring. If you have a drain wire as in figure 2, flare out the wire strands and press around the inner ground ring (2).
- H) Insert outer ground ring (3) into backshell (1) over shield.
- J) Engage strain relief (5) and tighten securely. Tighten strain relief saddles onto cable jacket.

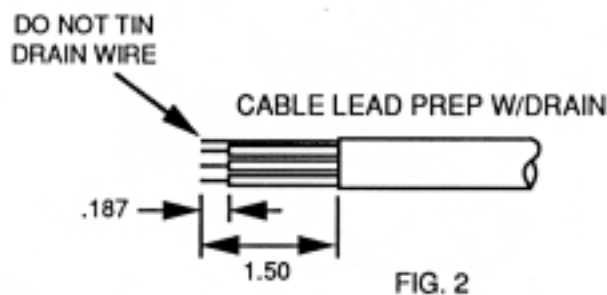


FIG. 2

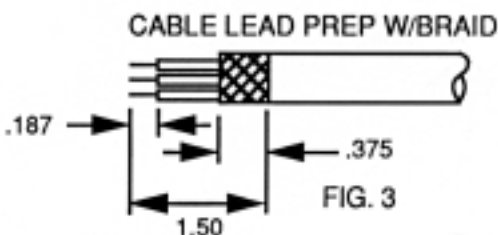


FIG. 3

PINOUT FOR PACKAGE DETECT CONNECTOR

CABLE WIRING TABLE	
CONNECTOR PIN	SIGNAL
A	OUTPUT
B	GROUND
C	+12VDC
D	UNUSED
E	UNUSED
F	UNUSED

FIG. 4