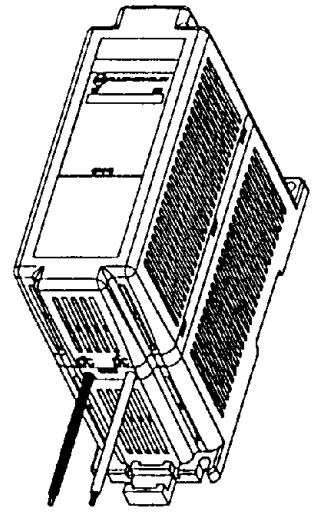




# External Capacitor Module



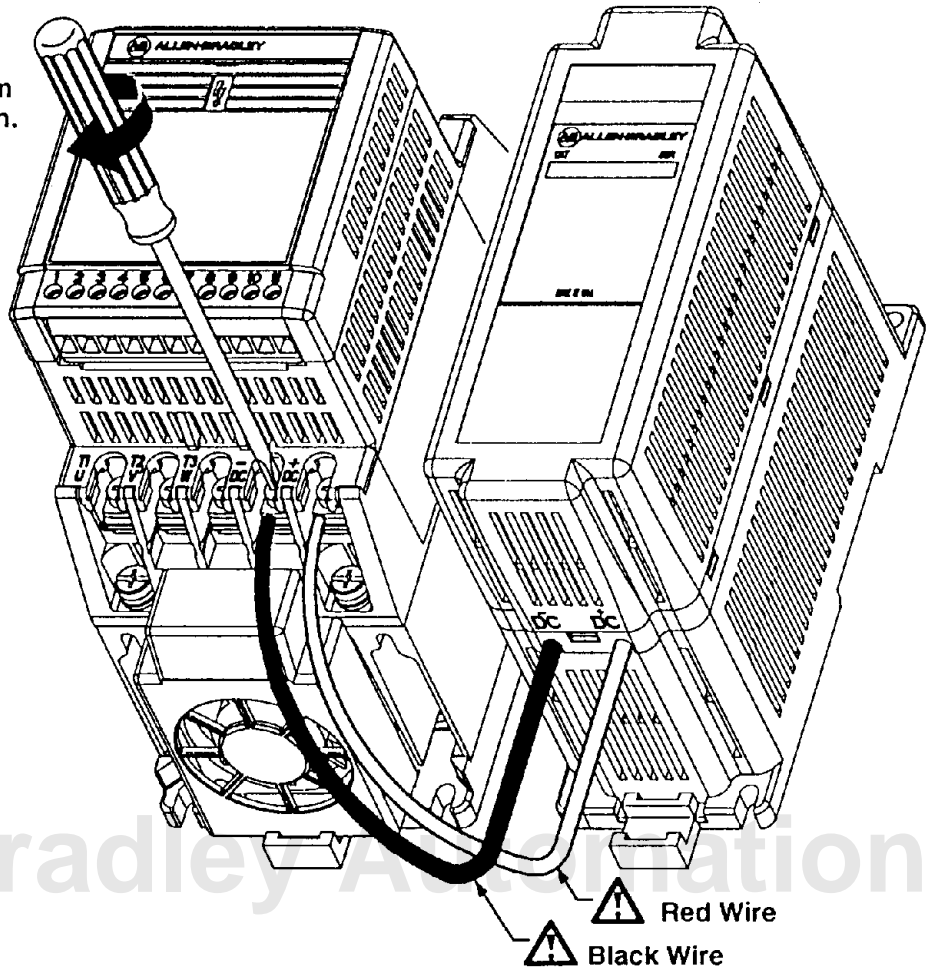
(Cat 160-CMA1, -CMB1; 160S-CMA1)

## Installation



**ATTENTION:** To prevent electrical shock, disconnect from power source before installing or servicing.

1.35 N-m  
12 lb.-in.



Allen-Bradley Automation

