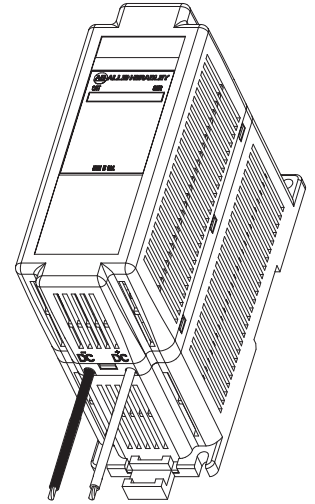




External Capacitor Module

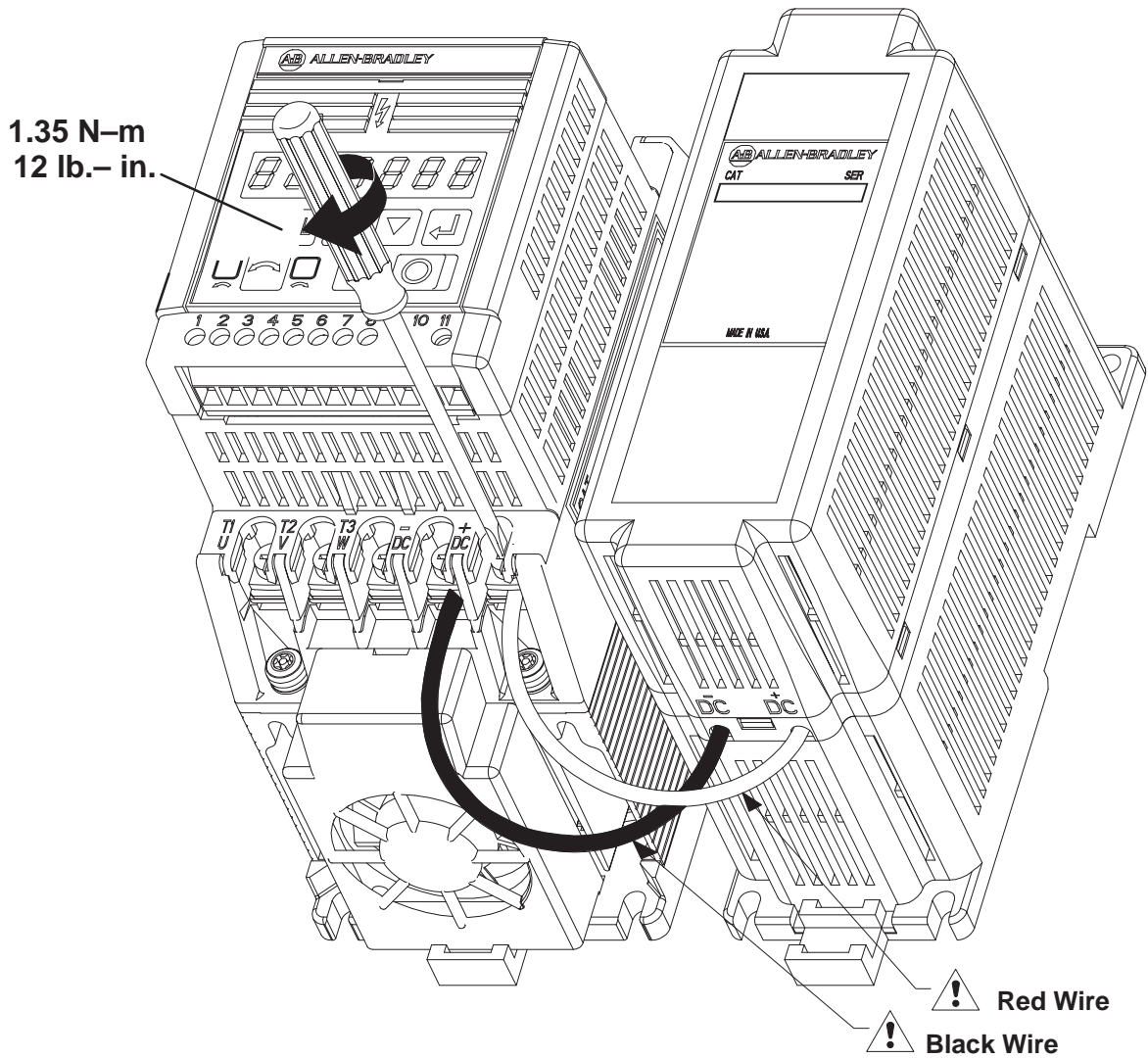


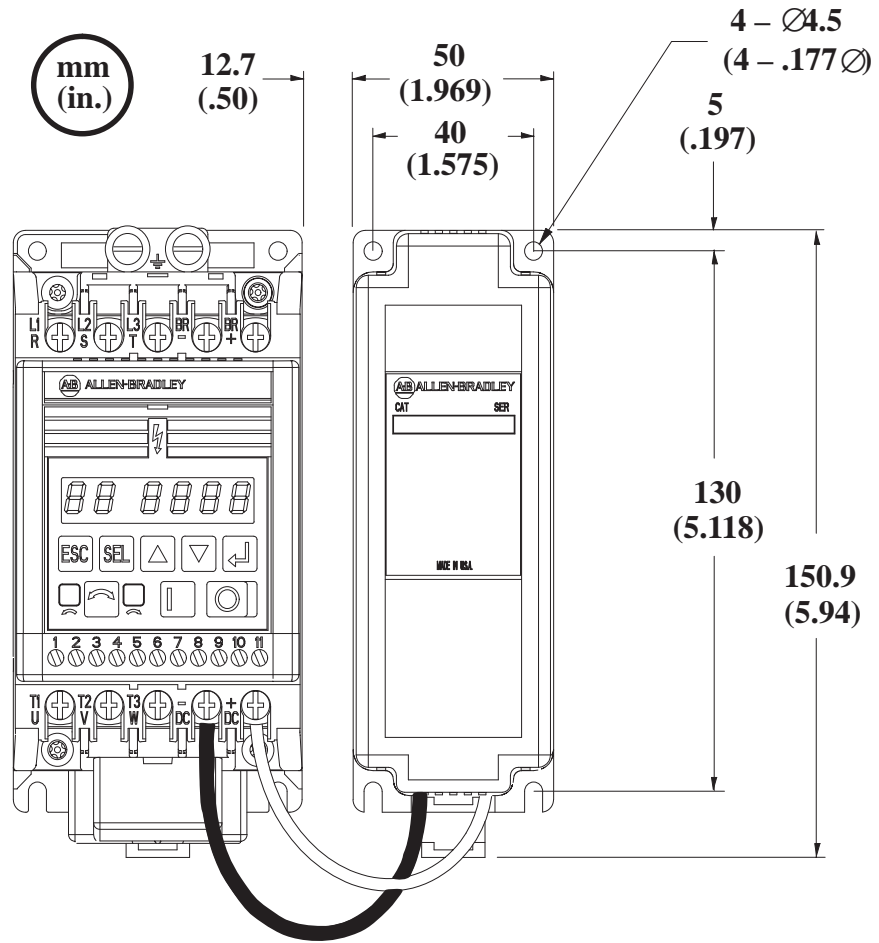
(Cat 160-CMA1, -CMB1; 160S-CMA1)

Installation



ATTENTION: To prevent electrical shock, disconnect from power source before installing or servicing.





OR

